

THIS DRAWING IS UNPUBLISHED.

RELEASED FOR PUBLICATION

20

© COPYRIGHT 20

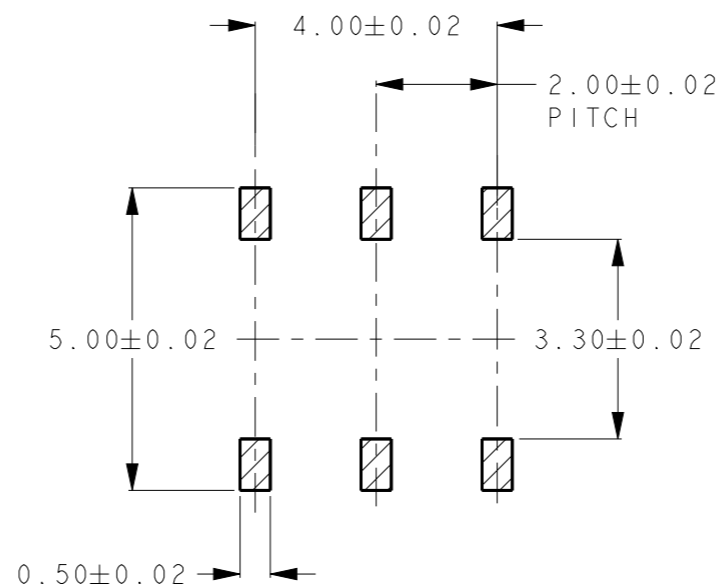
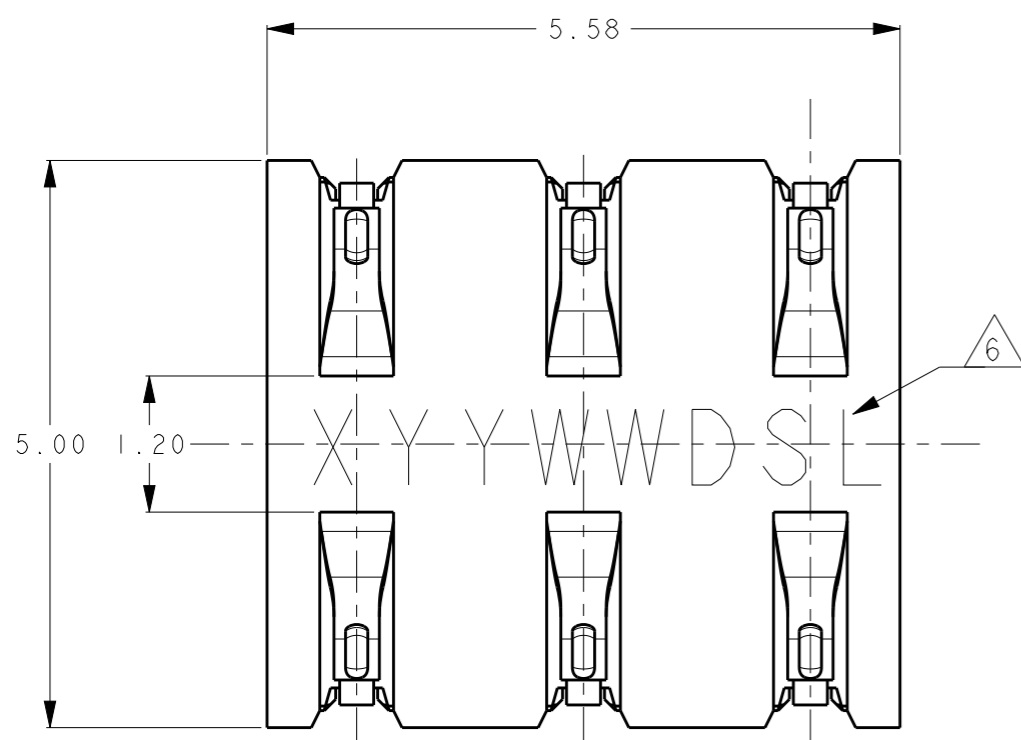
ALL RIGHTS RESERVED.

LOC  
ES

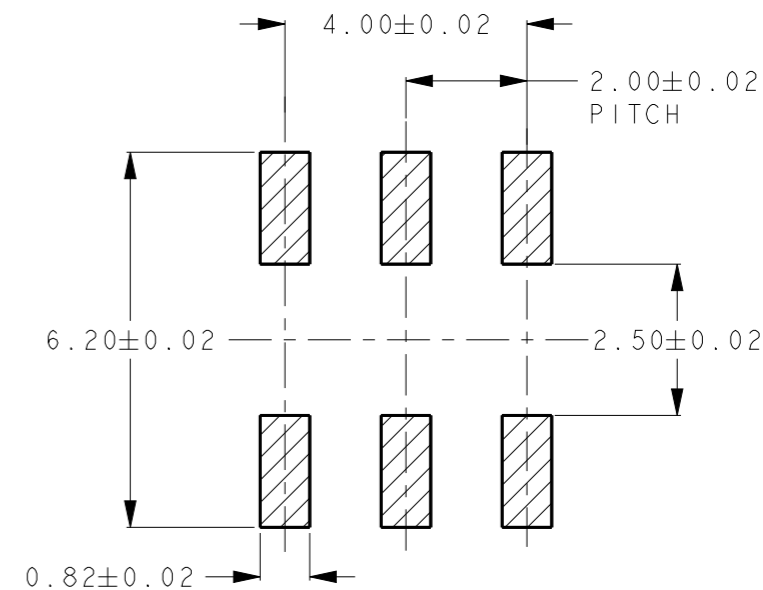
DIST

REVISIONS

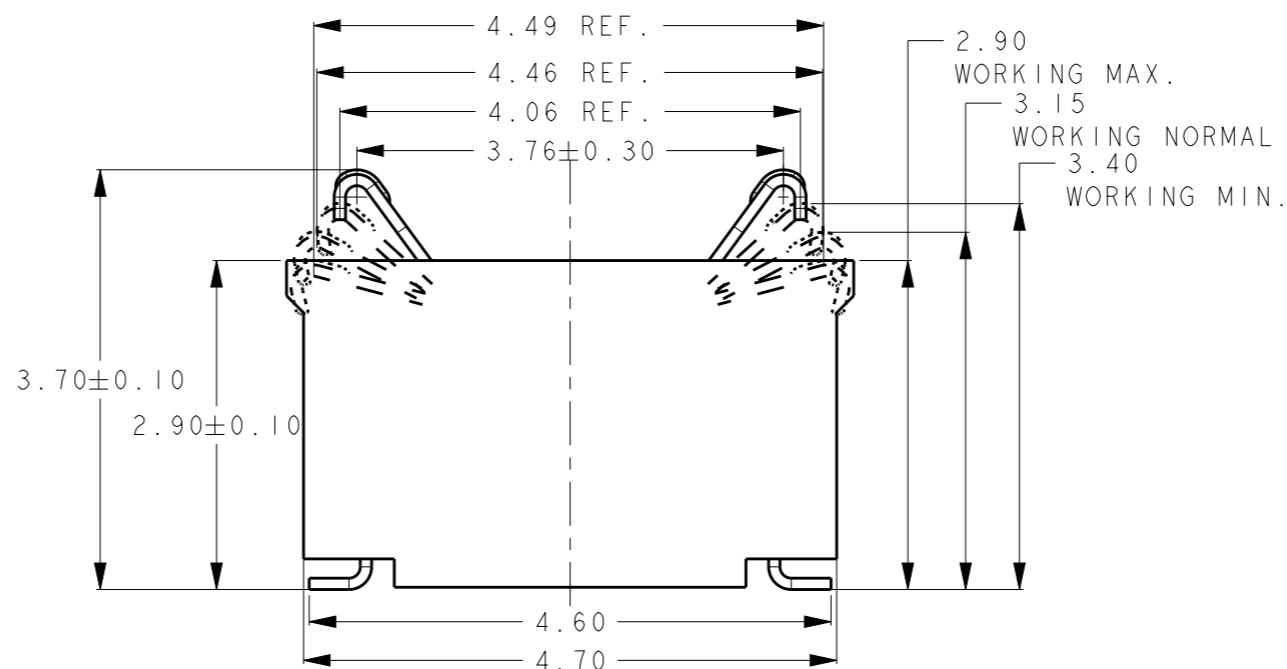
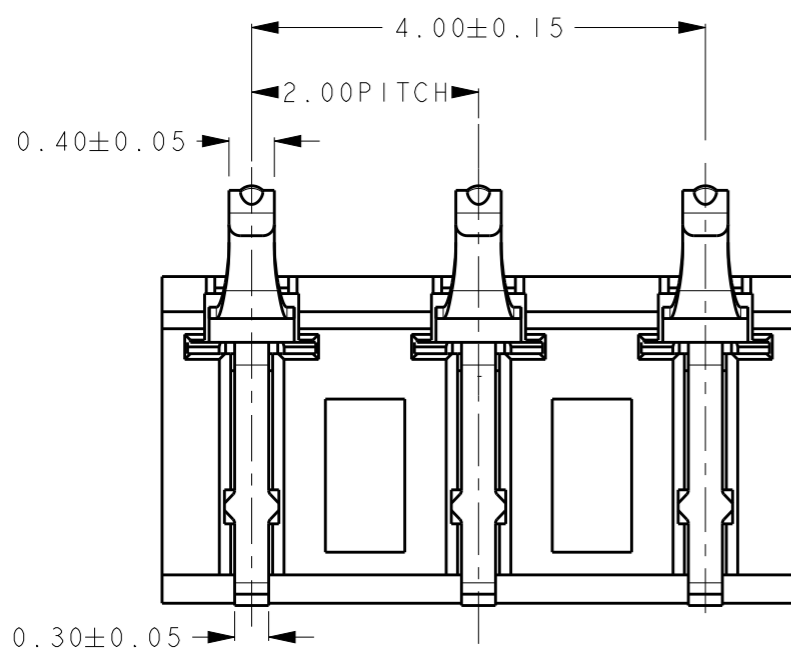
P	LTR	DESCRIPTION	DATE	DWN	APVD
	A	INITIAL RELEASE	07FEB2020	K.G	W.H



SCALE 8:1  
RECOMMEND SOLDERING PWB LAYOUT  
TOLERANCE: 0.05mm



SCALE 8:1  
RECOMMEND MATING LAYOUT  
TOLERANCE: 0.05mm



NOTES:

- ② TE PART NUMBER: 2199064-2
- MATERIAL  
TERMINAL: COPPER ALLOY, THICKNESS 0.10mm.  
HOUSING: HIGH TEMPERATURE THERMO PLASTIC  
UL94V-0 BLACK
- ③ FINISH  
TERMINAL: 0.10-0.2 um GOLD PLATING ON CONTACT AREA,  
1.25 um MIN. NICKLE UNDER PLATING,  
GOLD FLASH PLATING ON SOLDERING AREA.
- 4 COPLANARITY: 0.08 MAX. AMANG ALL SOLDER TAILS.
- 5 PACKAGING: TAPE & REEL.
- ⑥ DATE CODE: "XXYWDSL"  
VERSION NO. XX = VI  
FOR EXAMPLE: P1, VI, A1.  
P = PROTO TOOL; V = PRODUCTION TOOL; A = MASS APPROVED.  
YYWD = PRODUCTION DATE (YEAR, WEEK, DAY).  
S = SHIFT (D=DYA, N=NIGHT); L = LINE NUMBER.

THIS DRAWING IS A CONTROLLED DOCUMENT.

DIMENSIONS: mm	TOLERANCES UNLESS OTHERWISE SPECIFIED: ± 0.20
	0 PLC ±
	1 PLC ±
	2 PLC ±
	3 PLC ±
	4 PLC ±
	ANGLES ±5°
MATERIAL	FINISH
②	③

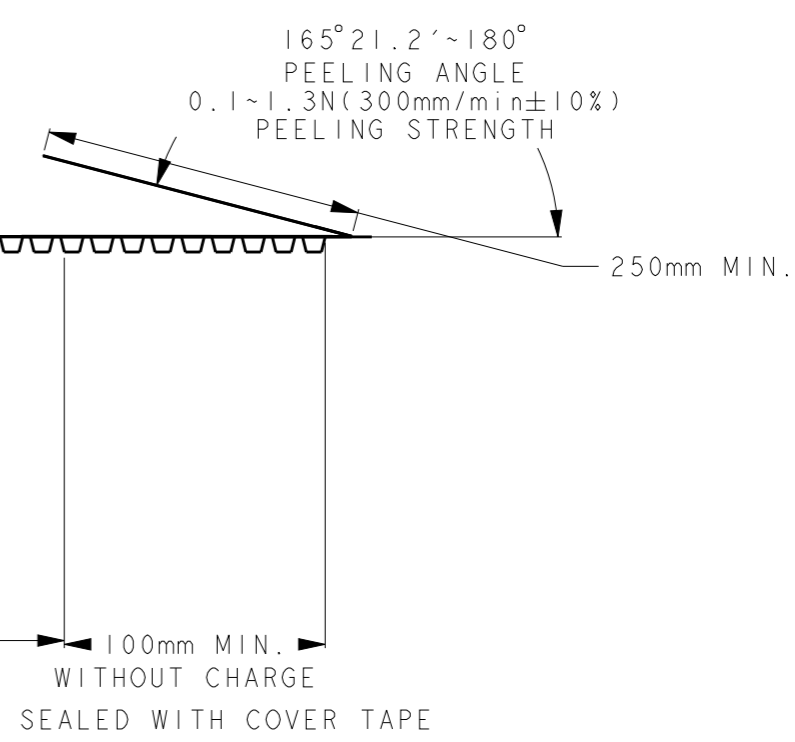
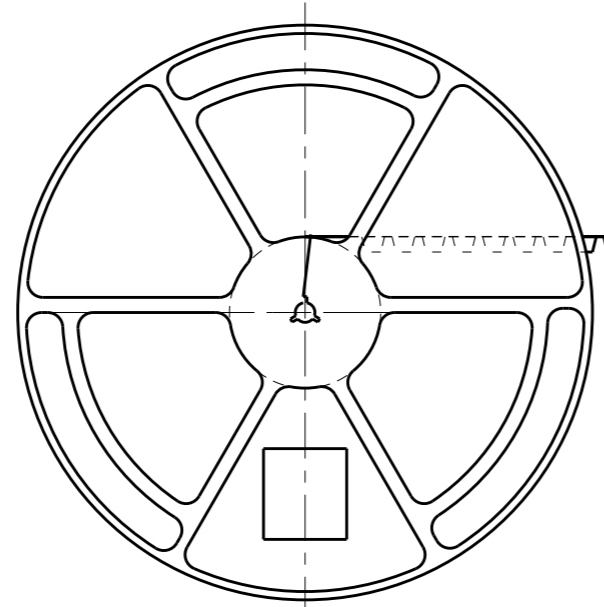
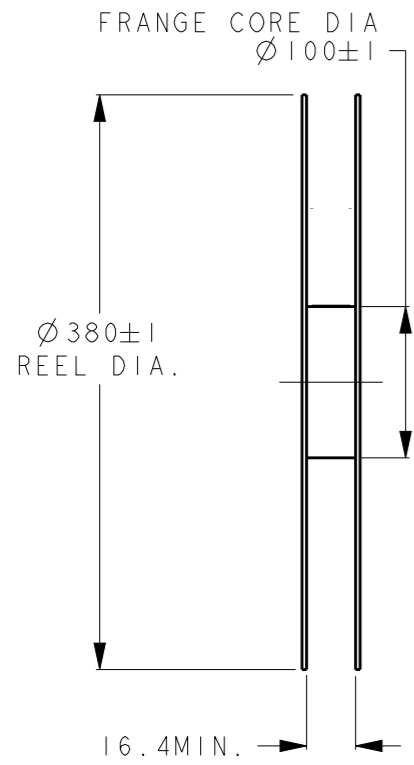
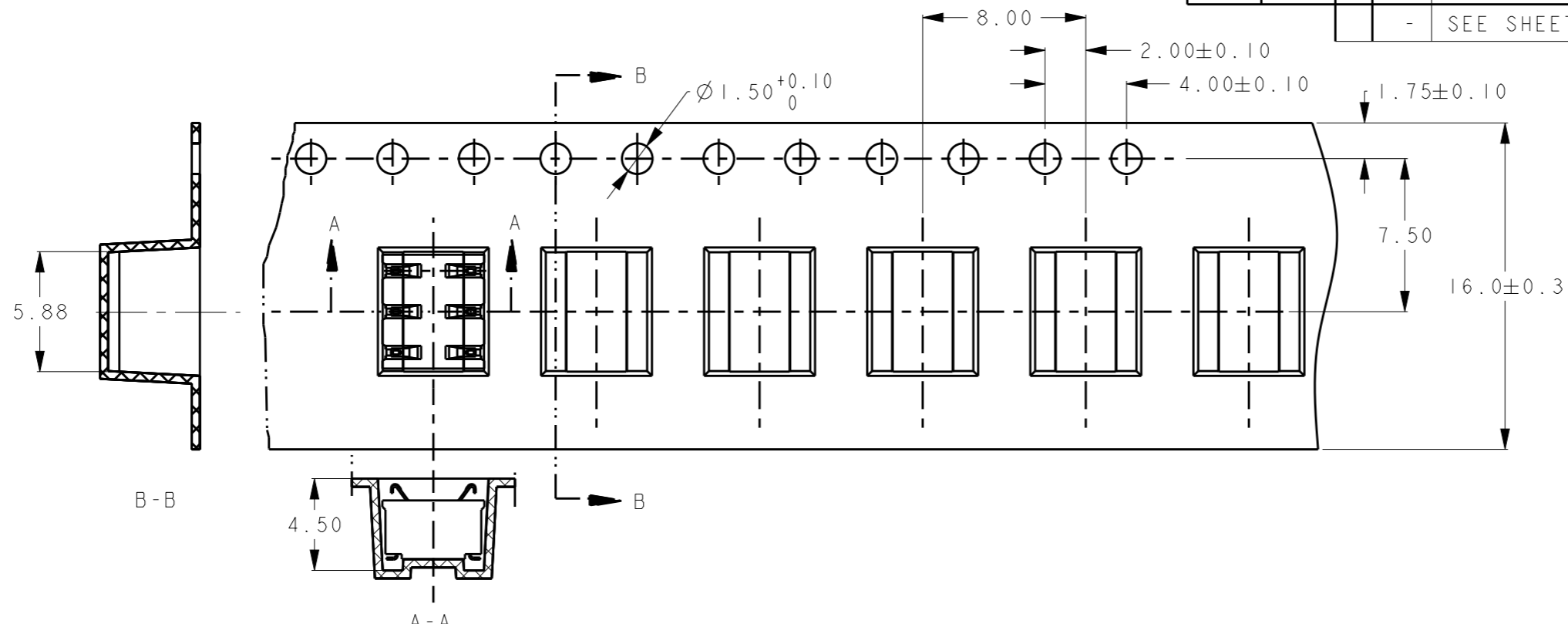
DWN	26MAR2013
RAY WANG	
CHK	26MAR2013
HE WENKE	
APVD	26MAR2013
STEVEN YAO	
PRODUCT SPEC	
108-115048	
APPLICATION SPEC	
-	
WEIGHT	0.108
CUSTOMER DRAWING	



ONE PIECE B to B CONNECTOR  
6 PINS, H3.15, TWO ROWS

NAME	SIZE	CAGE CODE	DRAWING NO	RESTRICTED TO
	A3	00779	C-2199064	-
SCALE	SHEET	OF	REV	
20:1	1	1	A	

SEE SHEET 1




40mm MIN. WITHOUT CHARGE SEALED WITH COVER TAPE

WITH PRODUCT CHARGE 2400PCS

100mm MIN. WITHOUT CHARGE SEALED WITH COVER TAPE

- NOTES:
1. TAPE MATERIAL: P.S; THICKNESS 0.4mm.
  2. QUANTITY PER REEL: 2400PCS.

THIS DRAWING IS A CONTROLLED DOCUMENT.		DWN	26MAR2013	 TE Connectivity	NAME ONE PIECE BtoB CONNECTOR 6 PINS, H3.15, TWO ROWS
DIMENSIONS: mm		CHK	26MAR2013		
TOLERANCES UNLESS OTHERWISE SPECIFIED: ±0.20		APVD	26MAR2013		
0-PLC ± 1-PLC ± 2-PLC ± 3-PLC ± 4-PLC ± ANGLES ±5°		PRODUCT SPEC	-		
MATERIAL		FINISH	-	APPLICATION SPEC	-
		WEIGHT	-	SIZE	A300779
		CUSTOMER DRAWING		CAGE CODE	G-2199064
				DRAWING NO	
				RESTRICTED TO	-
				SCALE	20:1
				SHEET	2 OF 1
				REV	2