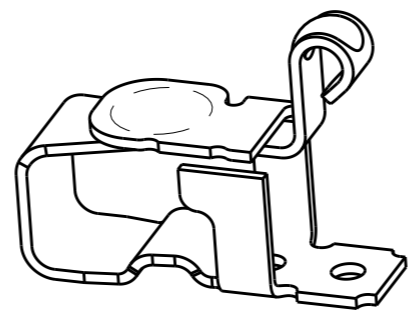
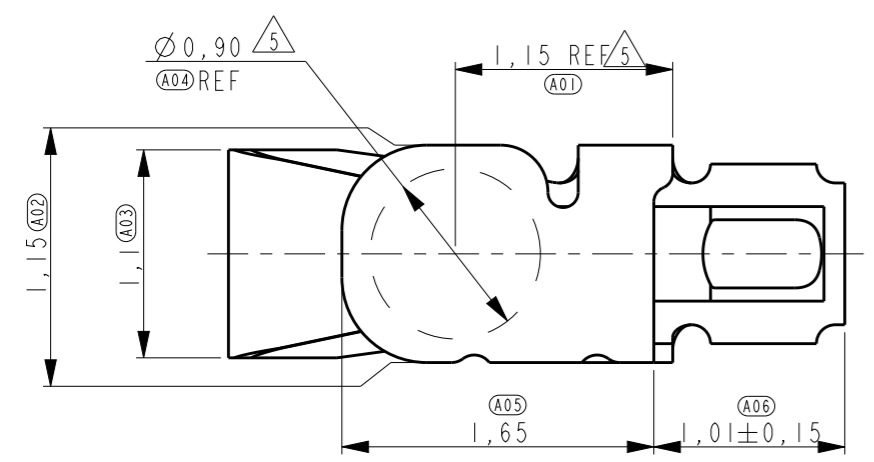
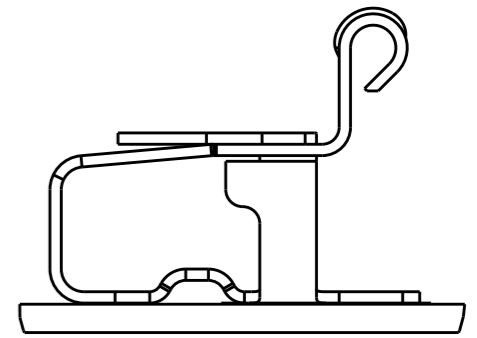


THIS DRAWING IS UNPUBLISHED. RELEASED FOR PUBLICATION  
 © COPYRIGHT - ALL RIGHTS RESERVED.

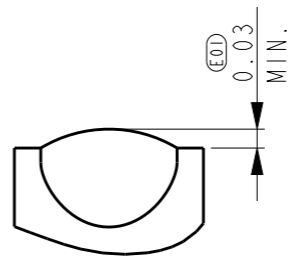
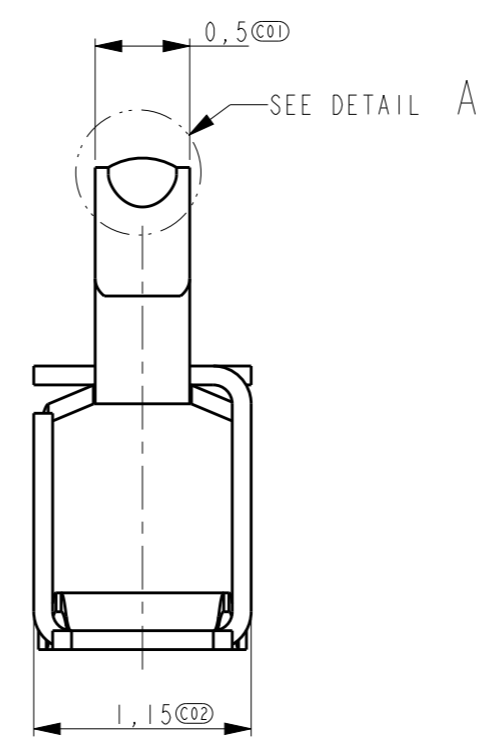
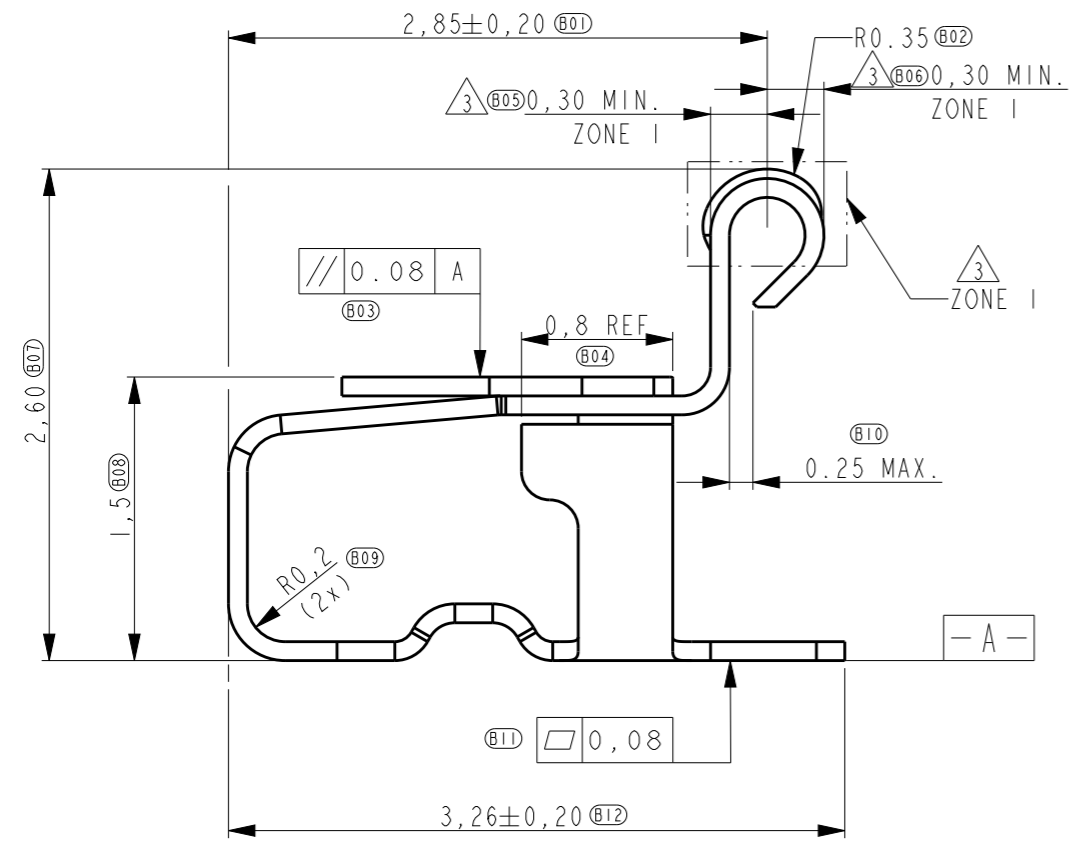
LOC	DIST	REVISIONS				
P	LTR	DESCRIPTION	DATE	DWN	APVD	
ES	00	B1	UPDATED ECR-14-004955	24JUL2014	T.Q W.H	



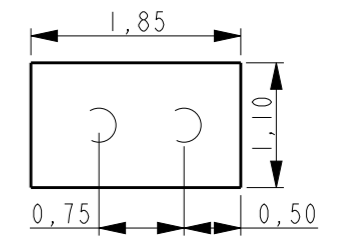
SCALE 15:1



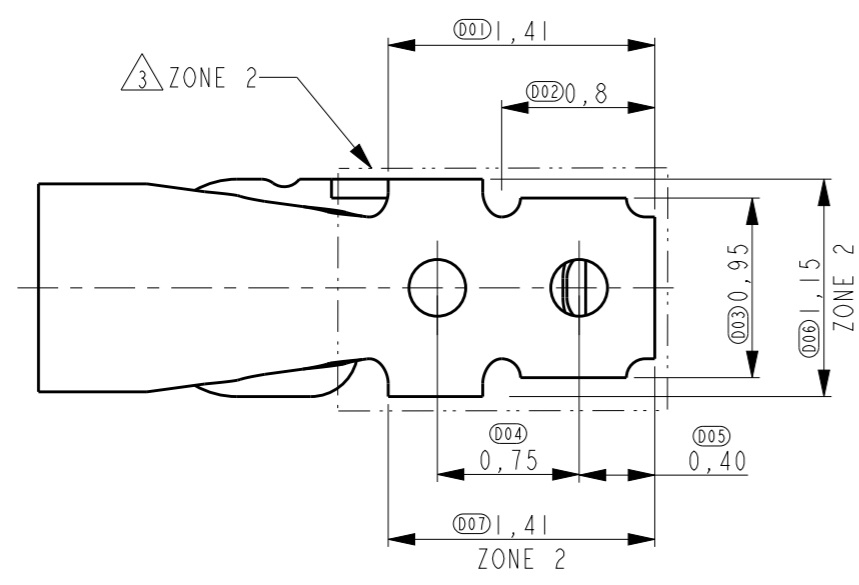
SCALE 15:1  
REFERENCE VIEW FOR COMPONENT PLACEMENT



DETAIL A  
SCALE 50:1



SCALE 15:1  
RECOMMENDED PWB LAY-OUT (±0.05)  
DASHED CIRCLES ARE THE LOCATION OF THE SPRING FINGER BOTTOM HOLES

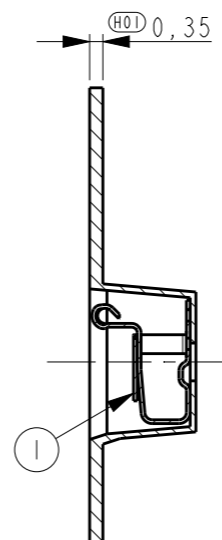
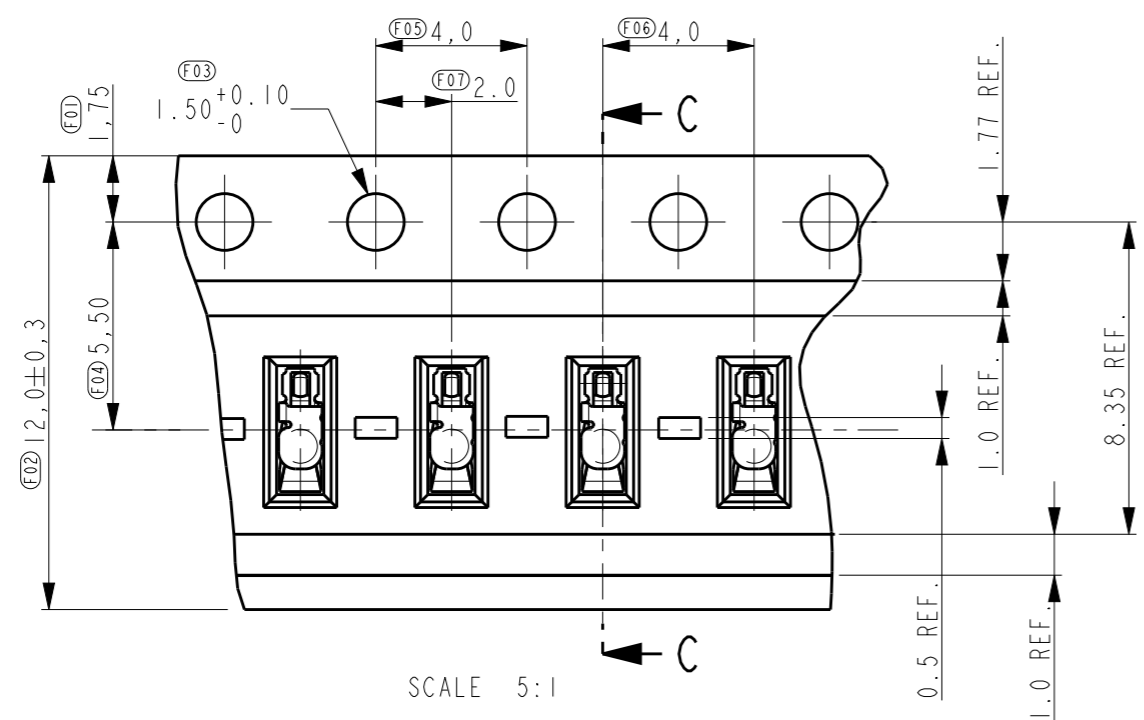


- 1 PART NUMBER: 1551574-5 AS SHOWN.
- 2 MATERIAL: STAINLESS STEEL.
- 3 PLATING: 1,3um MIN. NICKEL UNDERLAYER ALL OVER  
ZONE 1: 0,50um MIN. GOLD  
ZONE 2: 0.05-0.3um GOLD FLASH
- 4 NORMAL FORCE 0.6±0.2N AT NOMINAL HEIGHT 2.0MM.
- 5 INDICATED SURFACE TO BE USED AS PICK AND PLACE SURFACE.

THIS DRAWING IS A CONTROLLED DOCUMENT.		DWN 22-JUN-2010 Tony Zhang		TE Connectivity	
DIMENSIONS: mm		CHK 22-JUN-2010 Harada Yohei			
TOLERANCES UNLESS OTHERWISE SPECIFIED:		APVD 22-JUN-2010 Steven Yao		NAME SPRING FINGER H=2.60mm	
0 PLC ±0.2		PRODUCT SPEC 108-115008		SIZE A3	
1 PLC ±0.1		APPLICATION SPEC		CAGE CODE C-1551574	
2 PLC ±0.1		WEIGHT 0.0078g		DRAWING NO 1551574	
3 PLC ±0.05		CUSTOMER DRAWING		RESTRICTED TO	
4 PLC ±		SCALE 25:1		SHEET 1 OF 2	
ANGLES ±5°		REV B1			
FINISH					

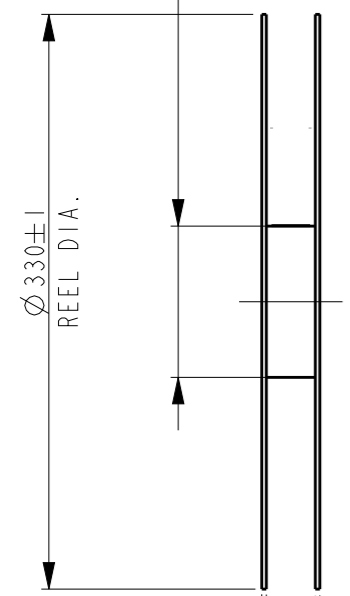
THIS DRAWING IS UNPUBLISHED. RELEASED FOR PUBLICATION. ALL RIGHTS RESERVED.

LOC	DIST	REVISIONS			
P	LTR	DESCRIPTION	DATE	DWN	APVD
ES	-	SEE SHEET 1	-	-	-

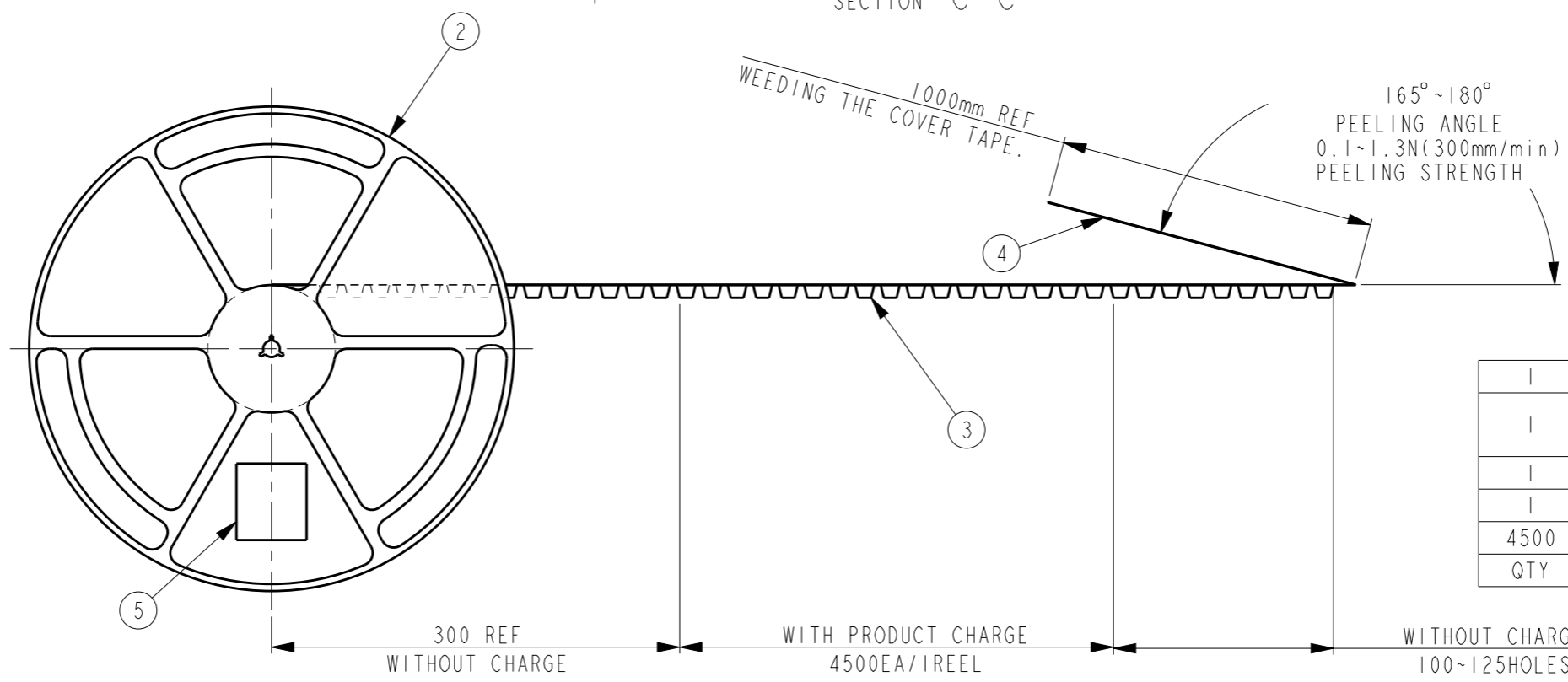


SECTION C-C

FRANGE CORE DIA  
Ø 100 ± 1



+2  
12.4 0  
18.4 MAX  
REEL WIDTH



1	LABEL	(5)
1	COVER TAPE (HEAT SEALING)	(4)
1	EMBOSS	(3)
1	PLASTIC REEL	(2)
4500	SPRING FINGER	(1)
QTY	DESCRIPTION	ITEM

THIS DRAWING IS A CONTROLLED DOCUMENT.		DWN	 TE Connectivity	
DIMENSIONS: mm		CHK		
TOLERANCES UNLESS OTHERWISE SPECIFIED:		APVD		
0 PLC ±0.2 1 PLC ±0.1 2 PLC ±0.1 3 PLC ±0.05 4 PLC ± ANGLES ±5°		PRODUCT SPEC		
MATERIAL	FINISH	APVD	NAME SPRING FINGER H=2.60mm	
		PRODUCT SPEC	SIZE A3	CAGE CODE C-1551574
		APPLICATION SPEC	DRAWING NO C-1551574	
		WEIGHT	RESTRICTED TO	
CUSTOMER DRAWING		SCALE 5:1	SHEET 2	OF 2
			REV B1	