

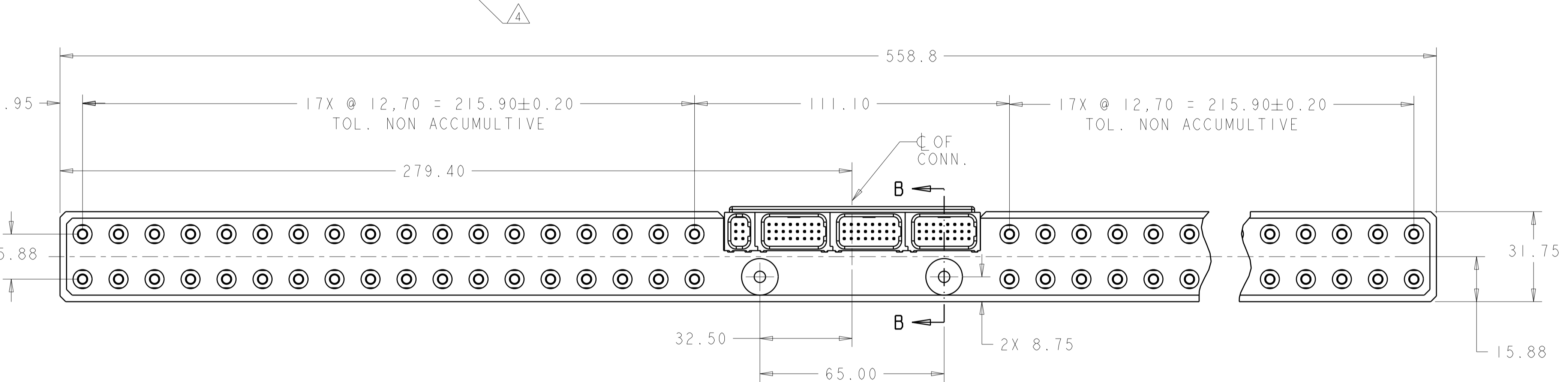
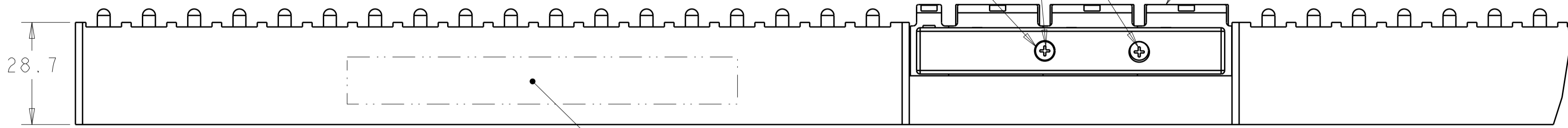
THIS DRAWING IS UNPUBLISHED. RELEASED FOR PUBLICATION 20
 © COPYRIGHT 20 BY TYCO ELECTRONICS CORPORATION. ALL RIGHTS RESERVED.

LOC GP DIST 00

REVISIONS					
P	LTR	DESCRIPTION	DATE	DWN	APVD
A		NEW RELEASE	30OCT2007	RG	PD
AI		REV. PENDING	14MAY2008	RG	DO
B		REV PER ECO-08-014286	17JUN2008	RG	DO

4-40 SCREW AND
 THREADED INSERT

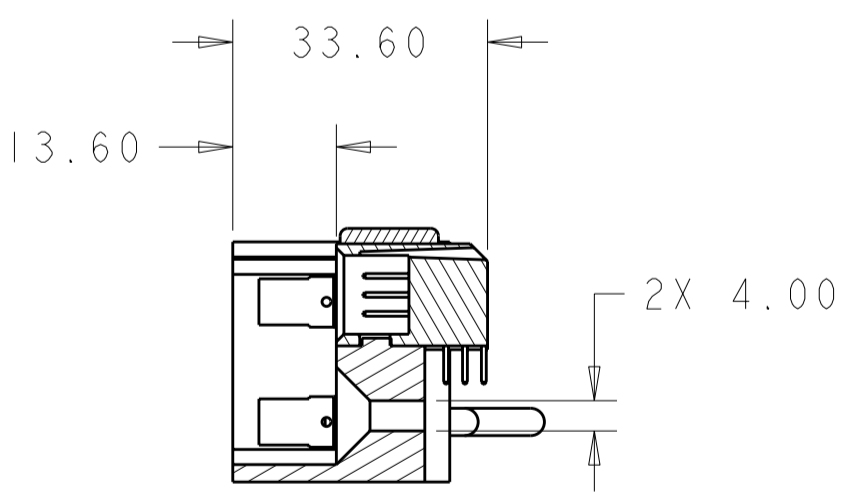
REMOVABLE SIGNAL
 PIN ASSY
 P/N 6651425-1



1. PART NUMBER CHANGES AND OR DESIGN CHANGES AFFECTING ITEM INTERCHANGEABILITY REQUIRE PRIOR TYCO ELECTRONICS APPROVAL AND AUTHORIZATION BY REVISION TO THIS DRAWING.

2. MATERIAL:
 POWER INSULATOR - ULTEM 1000, COLOR - BLACK
 SIGNAL INSULATOR - THERMOPLASTIC, GLASS REINFORCED
 COLOR - BLACK, UL94V-0 FLAMABILITY RATED.
 POWER PIN CONTACT - COPPER ALLOY
 SIGNAL PINS - BRASS ALLOY
 RETENTION CLIP - BERYLLIUM COPPER

3. FINISH:
 POWE CONTACT - GOLD PLATE 0.76µm MIN THK. OVER NICKEL 1.02µm MIN THK.
 SIGNAL CONTACT - SELECTIVE GOLD PLATE 0.76µm OVER NICKEL 1.27µm MIN THK.
 SOLDER TAILS - TIN 3.05 MIN THK. OVER NICKEL 1.27 MIN THK.



△ ITEMS PROVIDED TO THIS SPECIFICATION TO NE PERMANENTLY IDENTIFIED PER THE FLOWING IDENTIFIER:

TYCO ELECTRONICS P/N
 XXXXXXXX-X

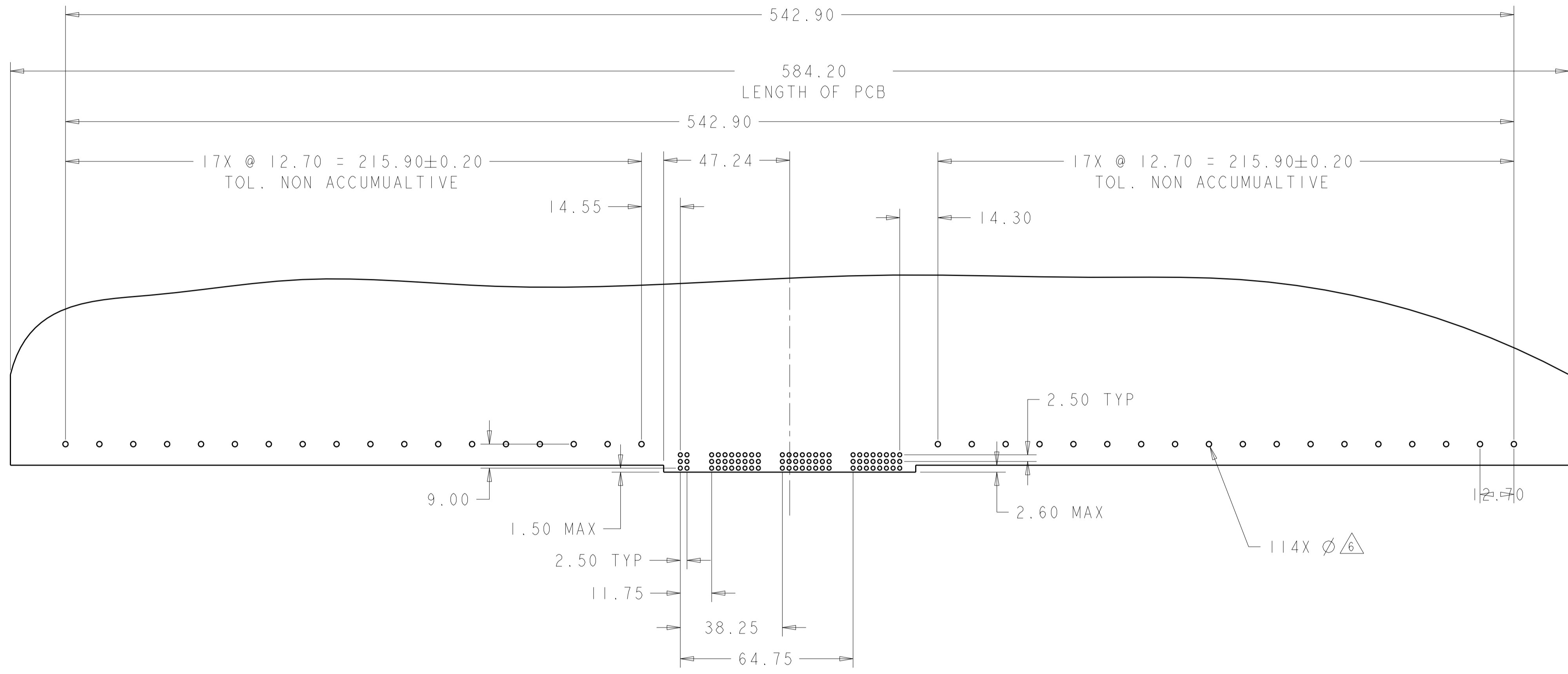
YEAR | WEEK
 DATE CODE (e.g. 0425)
 XXXX

AS SHOWN	6651430-1
DESCRIPTION	PART NUMBER

THIS DRAWING IS A CONTROLLED DOCUMENT FOR TYCO ELECTRONICS CORPORATION IT IS SUBJECT TO CHANGE AND THE CONTROLLING ENGINEERING ORGANIZATION SHOULD BE CONTACTED FOR THE LATEST REVISION.		DWN R.GRZYBOWSKI 30OCT2007	Tyco Electronics Harrisburg, PA 17105-3608
DIMENSIONS: mm		CHK P.DAMATO 30OCT2007	
TOLERANCES UNLESS OTHERWISE SPECIFIED:		APVD S.FLICKINGER 30OCT2007	NAME TOP ASSEMBLY, PIN CONN. 72X POWER, 78X SIGNAL CUSTOM
0 PLC ±.5		PRODUCT SPEC -	SIZE A2
1 PLC ±.25		APPLICATION SPEC -	CAGE CODE 00779
2 PLC ±.25		WEIGHT -	DRAWING NO C-6651430
3 PLC ±.		CUSTOMER DRAWING	RESTRICTED TO -
4 PLC ±.		SCALE 1:1	SHEET 1 OF 3
ANGLES ±.5			REV B
FINISH			

THIS DRAWING IS UNPUBLISHED. RELEASED FOR PUBLICATION 20
 © COPYRIGHT 20 BY TYCO ELECTRONICS CORPORATION. ALL RIGHTS RESERVED.

LOC	DIST	REVISIONS			
P	LTR	DESCRIPTION	DATE	DWN	APVD
GP	00	-	SEE SHEET 1	-	-

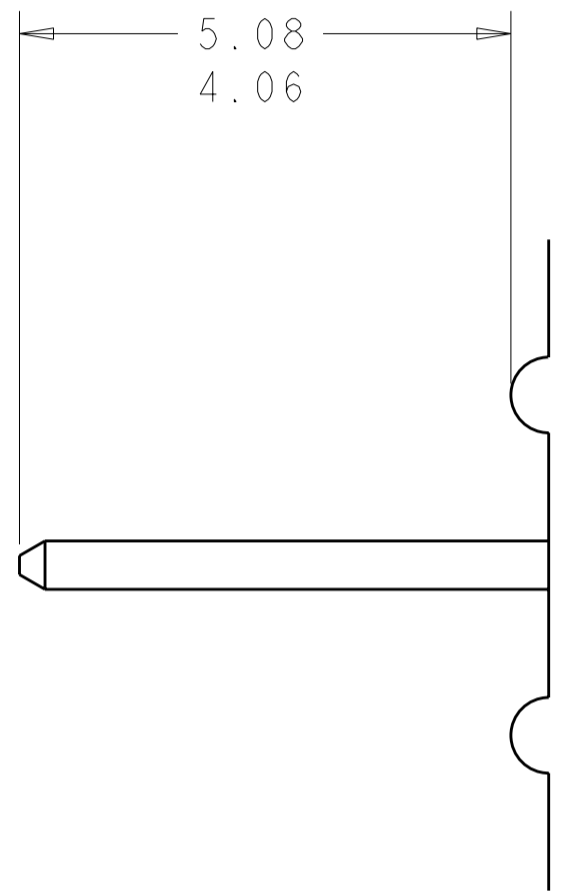


PRINTED CIRCUIT LAYOUT
 COMPONENT SIDE

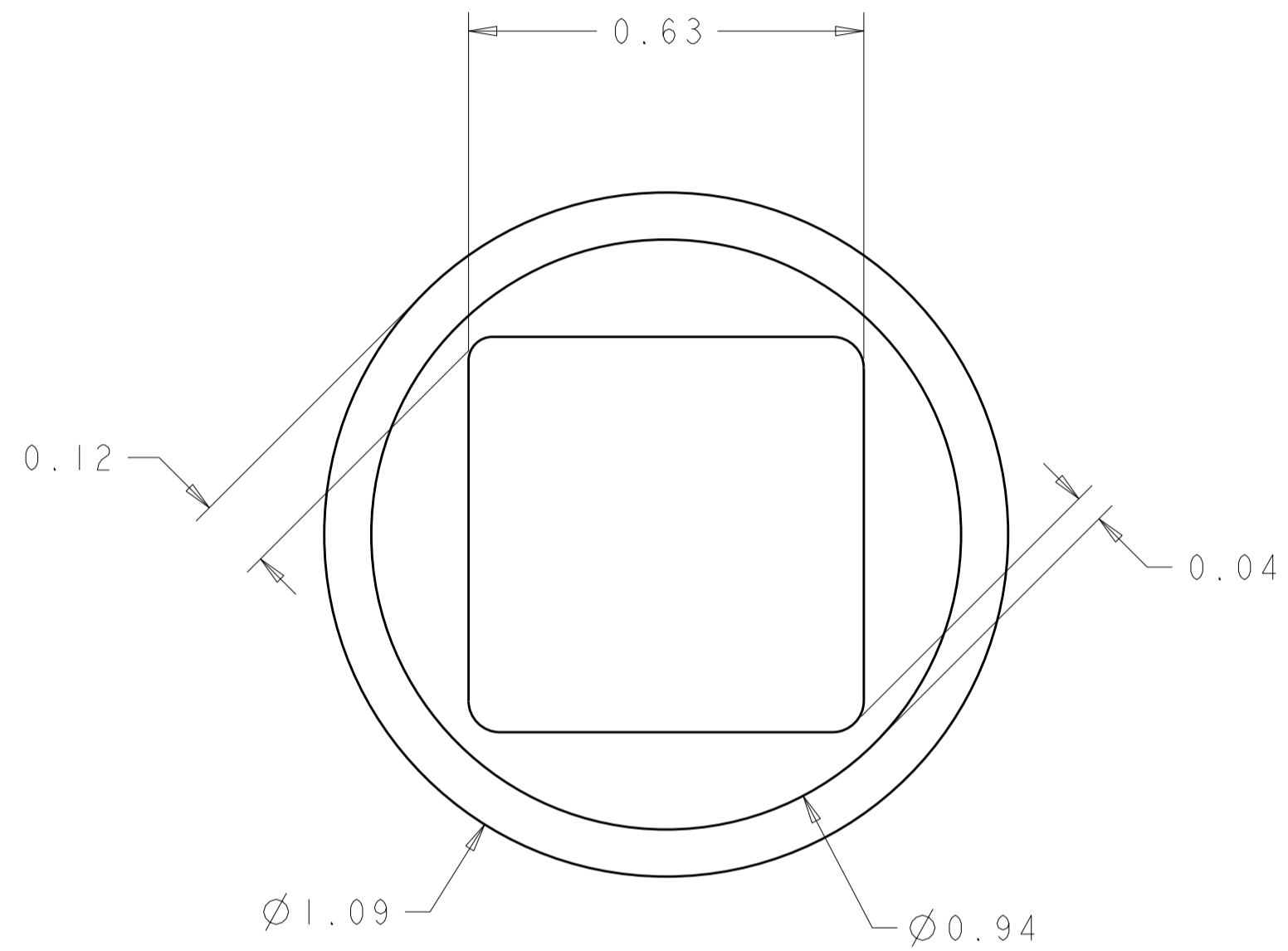
<small>THIS DRAWING IS A CONTROLLED DOCUMENT FOR TYCO ELECTRONICS CORPORATION IT IS SUBJECT TO CHANGE AND THE CONTROLLING ENGINEERING ORGANIZATION SHOULD BE CONTACTED FOR THE LATEST REVISION.</small>		DWN R. GRZYBOWSKI 30OCT2007 CHK P. DAMATO 30OCT2007 APVD S. FLICKINGER 30OCT2007	Tyco Electronics Tyco Electronics Harrisburg, PA 17105-3608
DIMENSIONS: mm 	TOLERANCES UNLESS OTHERWISE SPECIFIED: 0 PLC ±.5 1 PLC ±.5 2 PLC ±.25 3 PLC ±. 4 PLC ±. ANGLES ±.5 FINISH	PRODUCT SPEC APPLICATION SPEC WEIGHT CUSTOMER DRAWING	NAME TOP ASSEMBLY, PIN CONN. 72X POWER, 78X SIGNAL CUSTOM
MATERIAL		SCALE 1:1	RESTRICTED TO
		SIZE A200779 C-6651430	
		SHEET 2 OF 3	REV B

THIS DRAWING IS UNPUBLISHED. RELEASED FOR PUBLICATION 20
 © COPYRIGHT 20 BY TYCO ELECTRONICS CORPORATION. ALL RIGHTS RESERVED.

LOC	DIST	REVISIONS			
P	LTR	DESCRIPTION	DATE	DWN	APVD
GP	00	-	SEE SHEET 1	-	-



5. SOLDER PIN DETAIL



△ SOLDER TERMINATION AREA
 RECOMMENDED PRINTED CIRCUIT HOLE
 FINISH HOLE: $\varnothing 1.02 \pm .08$
 DRILLED HOLE: $\varnothing 1.15 \pm .013$
 COPPER PLATE: .025 MIN. (PER SURFACE)
 TIN PLATE: .008 MIN. (PER SURFACE)

<small>THIS DRAWING IS A CONTROLLED DOCUMENT FOR TYCO ELECTRONICS CORPORATION IT IS SUBJECT TO CHANGE AND THE CONTROLLING ENGINEERING ORGANIZATION SHOULD BE CONTACTED FOR THE LATEST REVISION.</small>		DWN R. GRZYBOWSKI 30OCT2007 CHK P. DAMATO 30OCT2007 APVD S. FLICKINGER 30OCT2007	Tyco Electronics Harrisburg, PA 17105-3608
DIMENSIONS: mm	TOLERANCES UNLESS OTHERWISE SPECIFIED: 0 PLC $\pm .5$ 1 PLC $\pm .5$ 2 PLC $\pm .25$ 3 PLC $\pm .5$ 4 PLC $\pm .5$ ANGLES $\pm .5$ FINISH	PRODUCT SPEC APPLICATION SPEC WEIGHT	NAME TOP ASSEMBLY, PIN CONN. 72X POWER, 78X SIGNAL CUSTOM
MATERIAL		CUSTOMER DRAWING	SIZE A2 CAGE CODE 00779 DRAWING NO. C-6651430 RESTRICTED TO
AMP 1471-9 REV 31MAR2000		SCALE 1:1	SHEET 3 OF 3 REV B