

4

3

2

1

THIS DRAWING IS UNPUBLISHED.

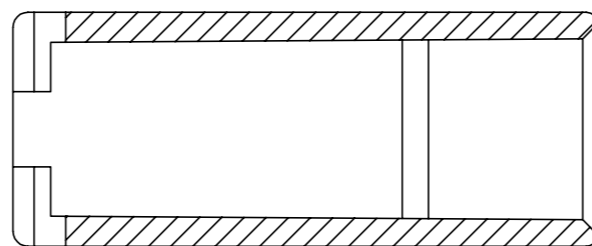
RELEASED FOR PUBLICATION

ALL RIGHTS RESERVED.

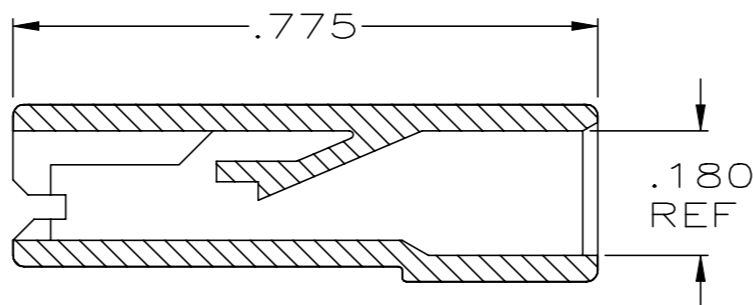
© COPYRIGHT - By -

LOC	DIST	REVISIONS					
AF	50	P	LTR	DESCRIPTION	DATE	DWN	APVD
		AA3		REVISED PER ECN-22-141852	4MAR2022	MK	SE

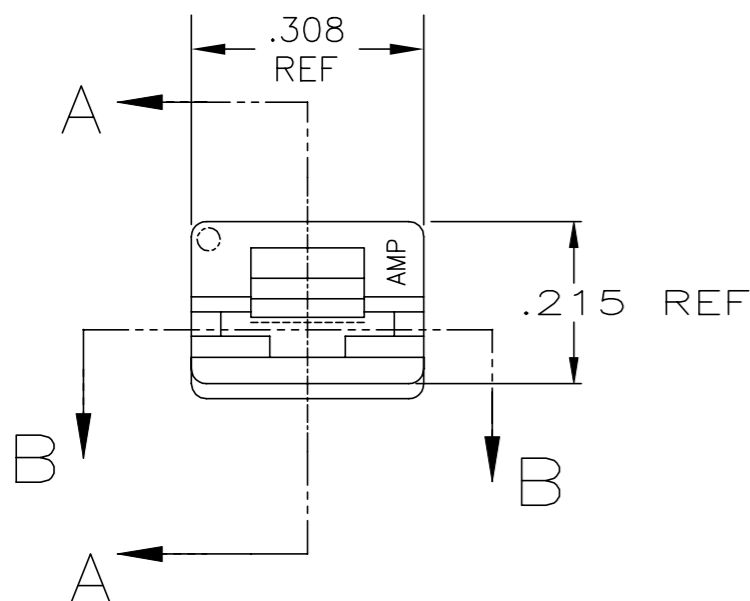
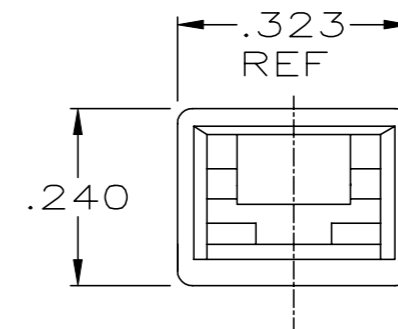
- △1 FOR FOREIGN PRODUCTION ONLY.
- △2 PRELIMINARY - NOT FOR PRODUCTION.
- △3 POLYAMIDE ACCORDING TO IEC 60335-1, GLOW WIRE.
- △4 OBSOLETE PARTS: OBSOLETE CIS STREAMLINING PER D.RENAUD/D.SINISI.
- 5 ACCEPTS 187 SERIES FASTONS BUDGET AND PREMIER STYLE RECEPTACLES.
- △6 SUPERCEDE 2-480435-1 WITH 2-480435-3.



SECTION B-B
ROTATED 90° CW



SECTION A-A



	BLACK	LCP-200°C	2-480435-3
	NATURAL	PA6 NYLON, V0	2-480435-2
△6 SUPERCEDED	NATURAL	△3 66 NYLON, UL94, V0	2-480435-1
OBSOLETE	NATURAL	UL94 5VA RATED	2-480435-0
△1	NATURAL	△3 UL94, V2	1-480435-5
△4 OBSOLETE	△1 NATURAL		1-480435-4
△1	DYED BLACK	6/6 NYLON	1-480435-3
△4 OBSOLETE	△1 DYED RED		1-480435-2
	NATURAL		1-480435-0
	FINISH	MATERIAL	PART NUMBER

NATURAL	PA66, UL94, V0	3-480435-1
BLACK	PA66/6, UL94, V0	480435-2
NATURAL	PA66/6, UL94, V0	480435-1
FINISH	MATERIAL	PART NUMBER

THIS DRAWING IS A CONTROLLED DOCUMENT.	
DIMENSIONS: INCHES	TOLERANCES UNLESS OTHERWISE SPECIFIED:
	0 PLC ± -
	1 PLC ± -
	2 PLC ± -
	3 PLC ± .015
	4 PLC ANGLES ± -
MATERIAL	FINISH
SEE TABLE	SEE TABLE

DWN JR RUTH 2/4/91	TE Connectivity	NAME HOUSING, RECEPTACLE, FASTON, .187 SERIES			
CHK P FORTNEY 2/4/91					
APVD R KUZO 2/4/91					
PRODUCT SPEC					
APPLICATION SPEC	SIZE	CAGE CODE	DRAWING NO	RESTRICTED TO	
—	A3	00779	480435	—	
WEIGHT	CUSTOMER DRAWING		SCALE	SHEET	REV
—	—		4:1	1 of 1	AA3