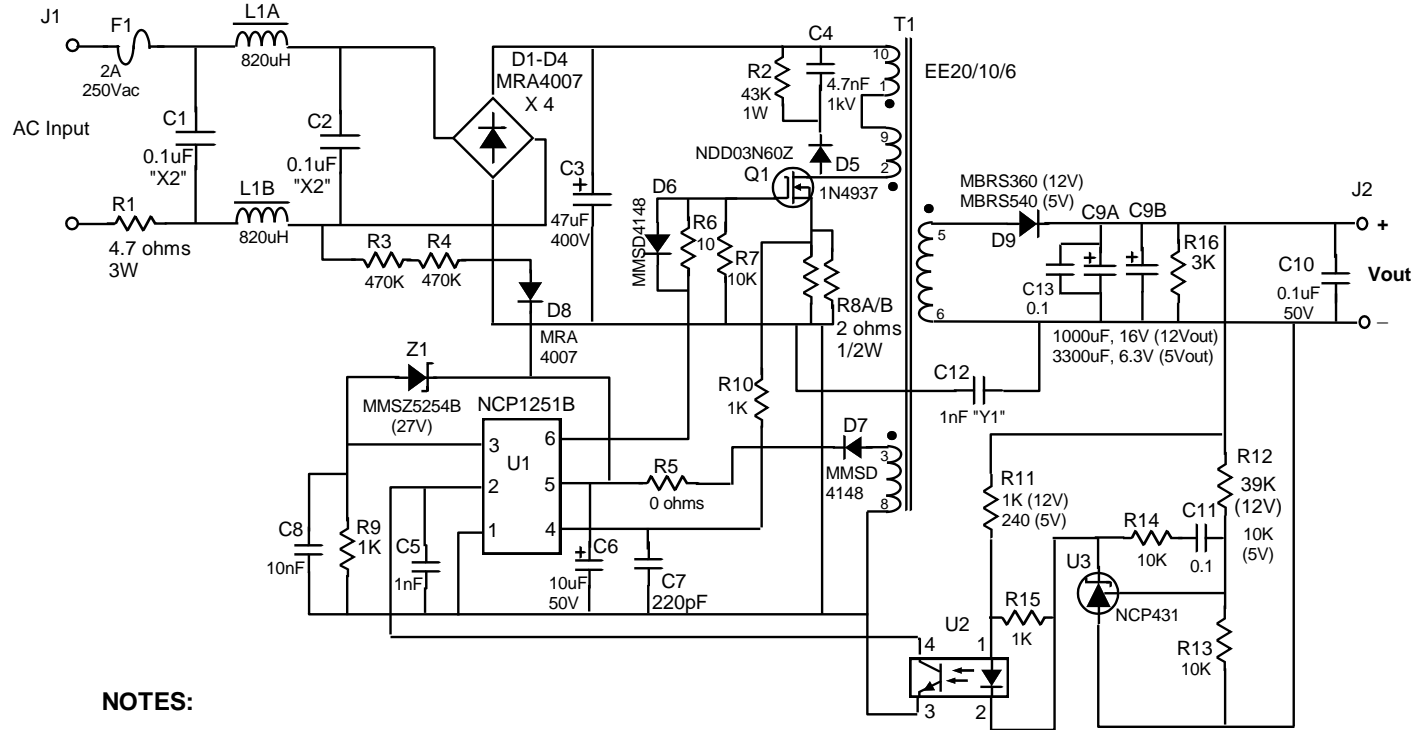


Schematic for the NCP1251GEVB Evaluation Board



NOTES:

1. Crossed lines on schematic are NOT connected.
2. U2 is NEC PS2561L-1 or equivalent optocoupler (CTR > 50%).
3. R1 is for inrush limiting - use carbon comp or wire wound.
4. L1A/L1B are Wurth 7447728215 components (820 uH, 500mA).
5. Output caps (C9A/B) are radial lead, low impedance types (UCC LXV series or similar).
6. Z1 sets OVP trip level.
7. R5 is for Vcc trimming (< 28Vmax), typically zero ohms.
8. R8A/B sets max output current.
9. See drawing for T1 details.

**20 Watt NCP1251 Power Supply
with Universal AC Input (Rev 5A)**