

4

3

2

1

THIS DRAWING IS UNPUBLISHED.

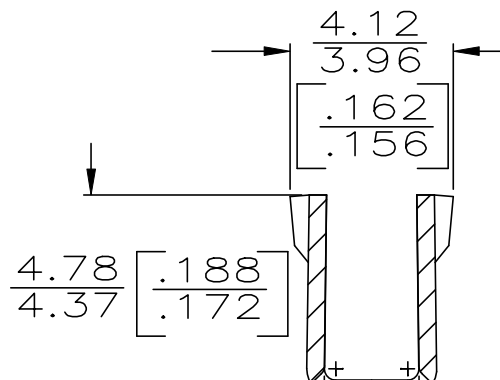
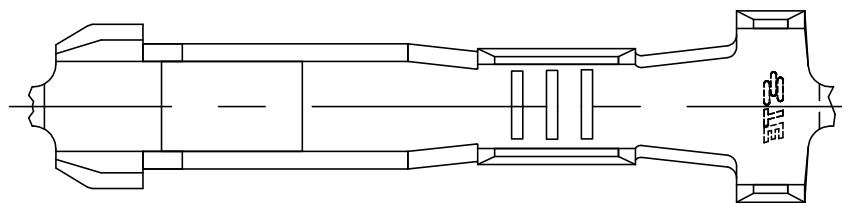
RELEASED FOR PUBLICATION

ALL RIGHTS RESERVED.

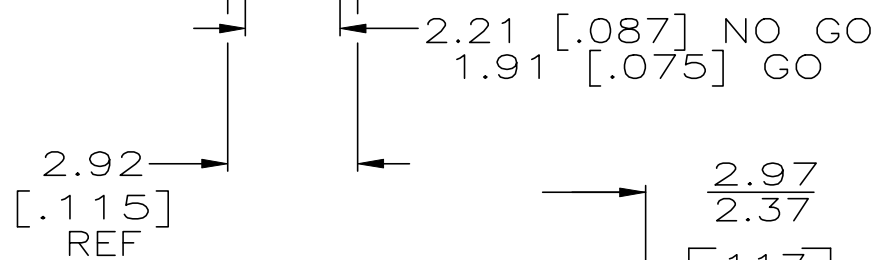
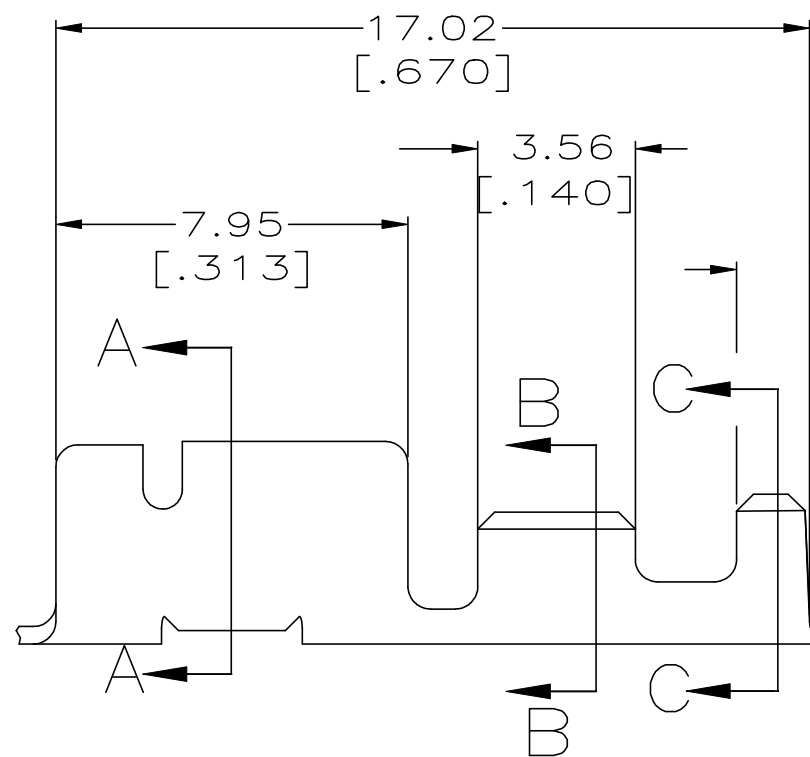
© COPYRIGHT - By -

REVISIONS

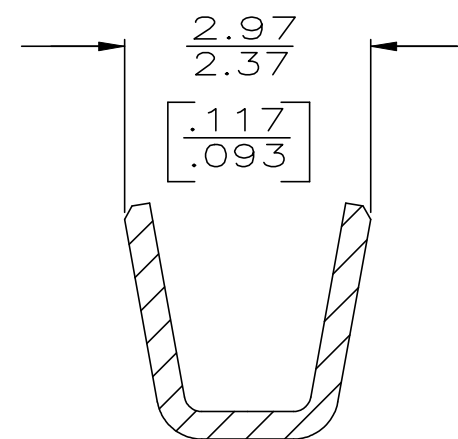
P	LTR	DESCRIPTION	DATE	DWN	APVD
A		RELEASE TO PRODUCTION	01OCT2019	MDP	PKS



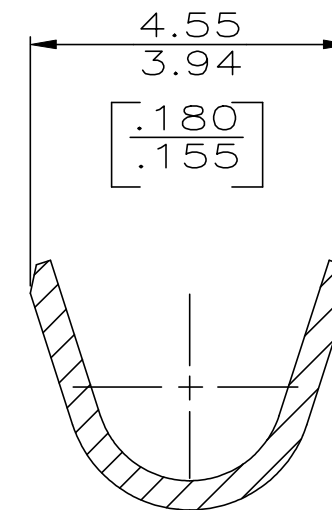
- CONTINUOUS STRIP ON REEL.
- WIRE SIZE IS 20-18 AWG
- INSULATION RANGE IS 1.30-2.40  
[.051-.094] DIA.
- RECOMMENDED HOUSING PART NUMBERS  
235280-1, -4, -5  
284406-1, -3



SECTION A-A



SECTION B-B  
SCALE 10:1



SECTION C-C  
SCALE 10:1

T3 PHOS BRONZE	TIN	2825629-1
MATERIAL	FINISH	PART NO
DWN DEEPAN 01OCT2019		
CHK DEEPAN 01OCT2019		
APVD SENTHIL 01OCT2019		
PRODUCT SPEC 108-2008		
APPLICATION SPEC 114-2019		NAME RECEPTACLE, CLUSTER PIN, 2.29 [.090] DIA
SIZE A3	CAGE CODE -	DRAWING NO C=2825629
WEIGHT -	RESTRICTED TO -	
CUSTOMER DRAWING	SCALE 6:1	SHEET 1 OF 1
		REV A

THIS DRAWING IS A CONTROLLED DOCUMENT.	
DIMENSIONS: INCHES	TOLERANCES UNLESS OTHERWISE SPECIFIED:
	0 PLC ± -
	1 PLC ± -
	2 PLC ± 0.25 [.010]
	3 PLC ± -
	4 PLC ± -
ANGLES ± -	
MATERIAL SEE TABLE	FINISH SEE TABLE