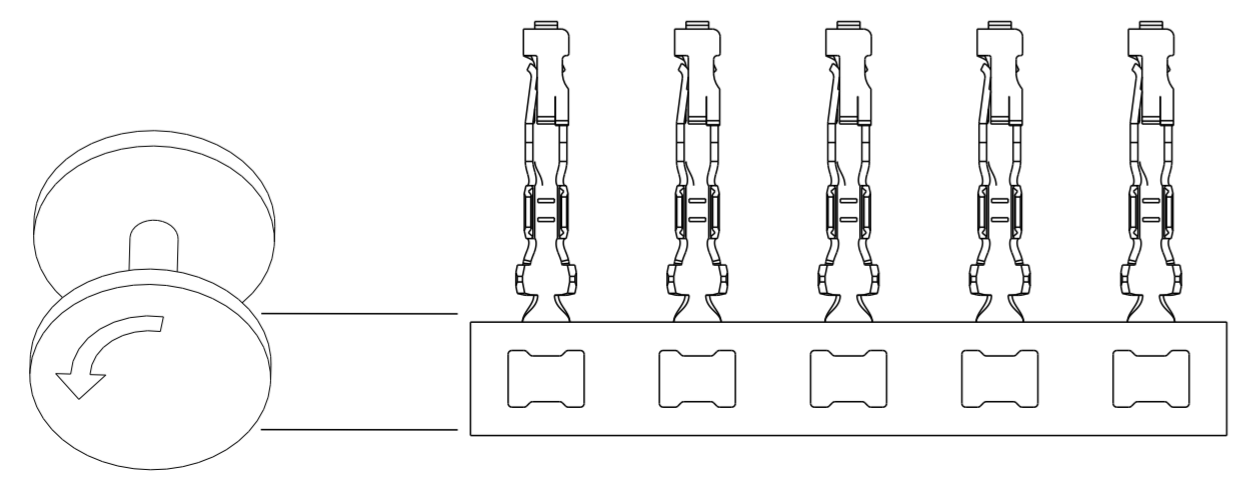
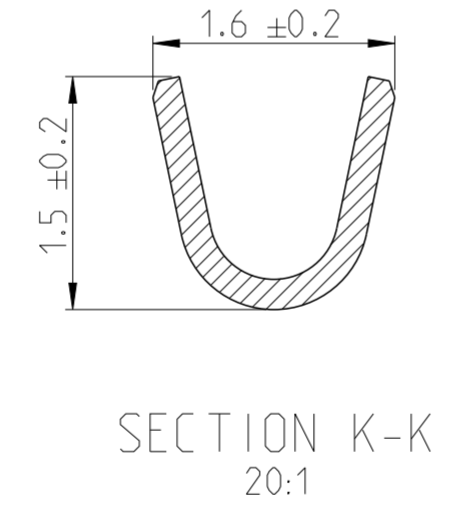
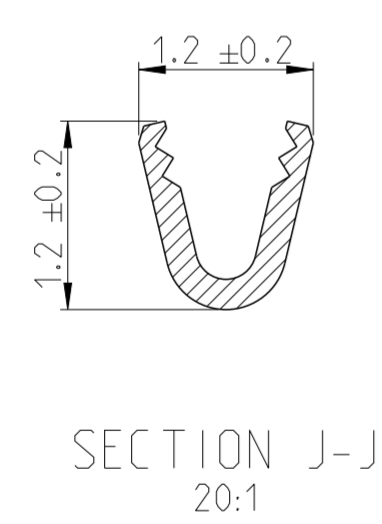
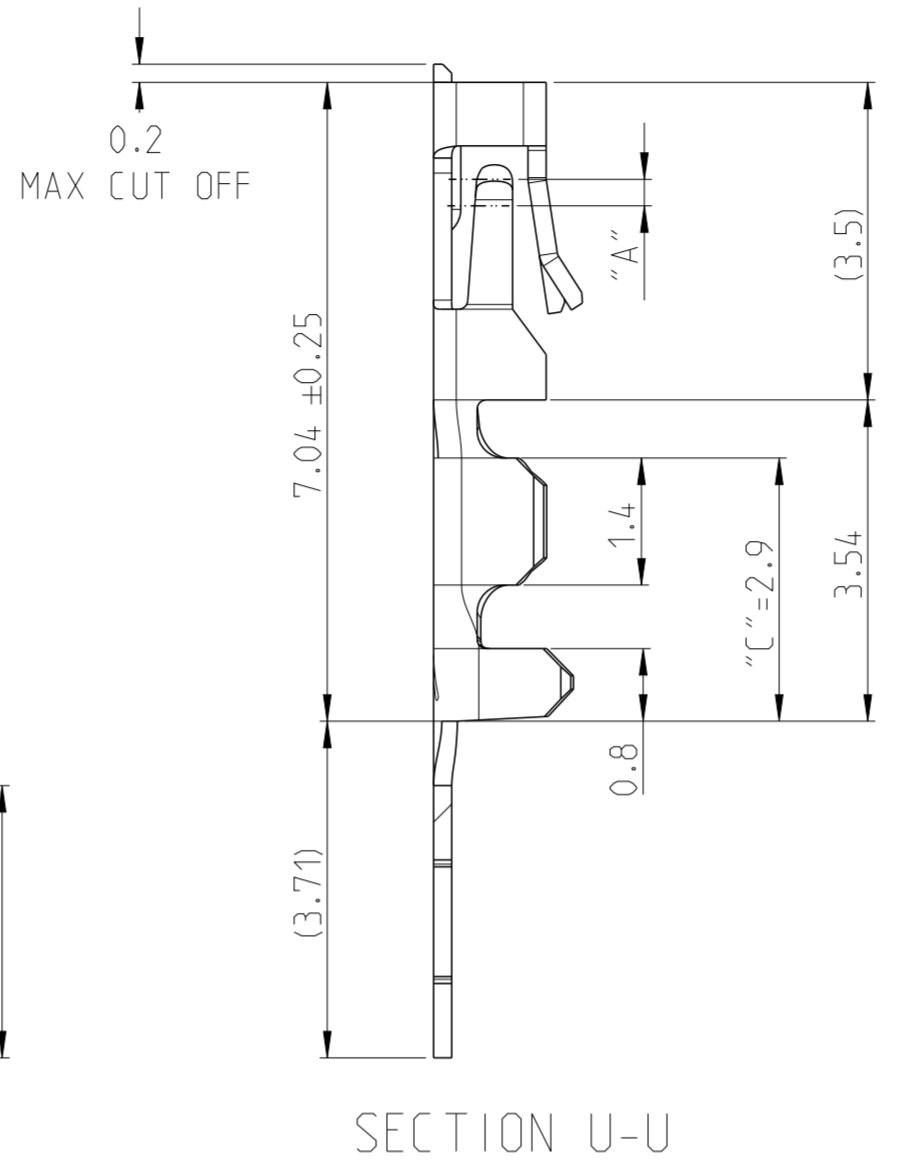
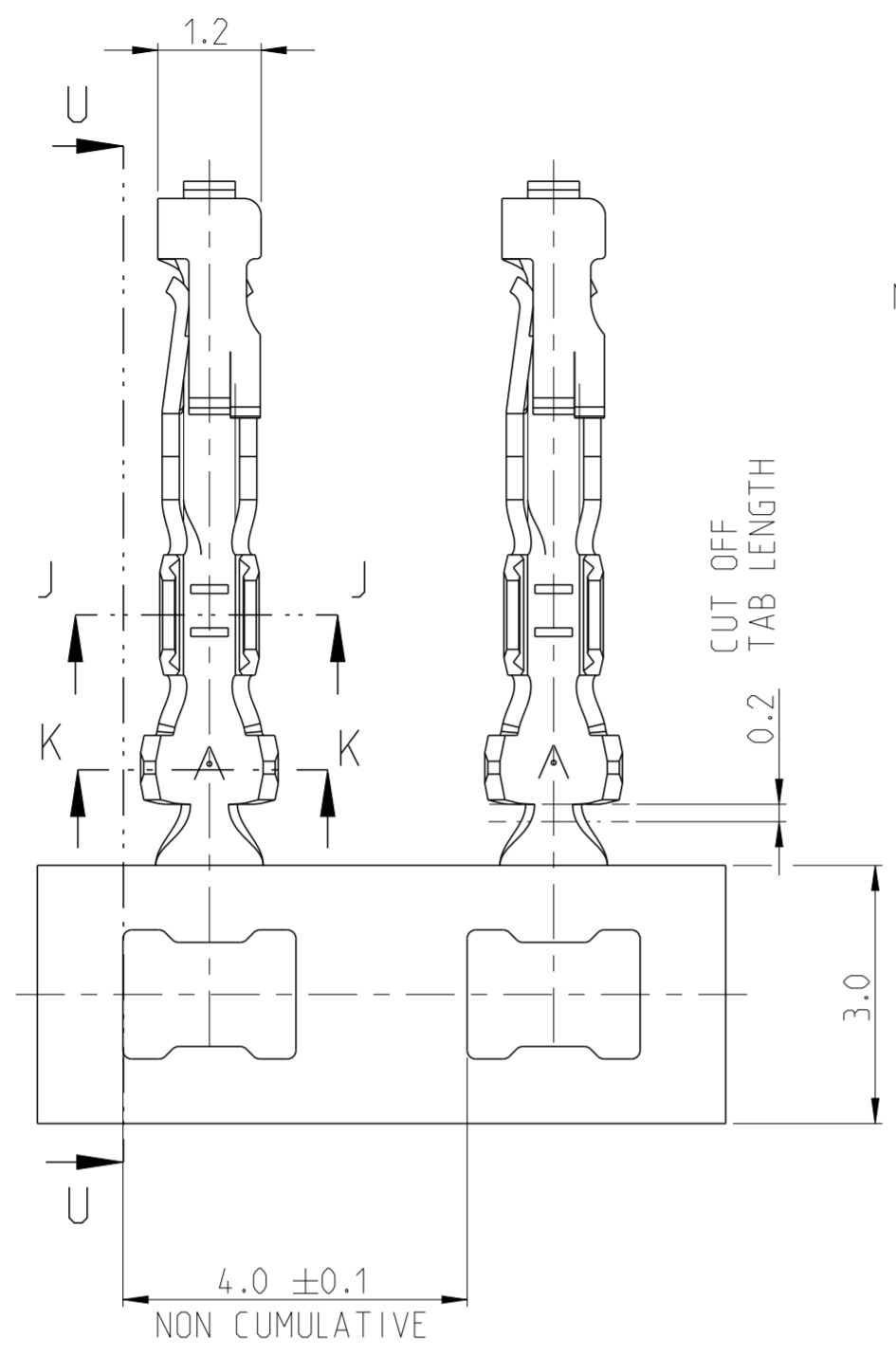


P	LTR	DESCRIPTION	DATE	DWN	APVD
A		RELEASE TO PRODUCTION	18 JUN 2020	AY	PS
A1		SMART PN DETAILS ADDED	16 FEB 2022	SCB	PS



(CRIMP UP)

WIRE RANGE: 0.05-0.08 mm<sup>2</sup> (30-28 AWG)  
INSULATION RANGE: Ø0.5-Ø1.0mm

- NOTES:
- MATERIAL: PHOSPHOR BRONZE, 0.2mm THICK
  - FINISH: 1.27-2.54 µm TIN ALL OVER  
UNDERPLATE 1.27 µm MIN NICKEL ALL OVER
  - CONTACT AREA "A": MIN 0.1 µm THK GOLD  
CRIMP AREA "C" : 1.27 - 2.54 µm THK TIN  
UNDERPLATE 1.27 µm MIN NICKEL ALL OVER
  - CONTACT AREA "A" : MIN 0.38 µm THK GOLD  
CRIMP AREA "C" : 1.27 - 2.54 µm THK TIN  
UNDERPLATE 1.27 µm MIN NICKEL ALL OVER
  - CONTACT AREA "A" : MIN 0.76 µm THK GOLD  
CRIMP AREA "C" : 1.27 - 2.54 µm THK TIN  
UNDERPLATE 1.27 µm MIN NICKEL ALL OVER
6. APPLICABLE HOUSINGS :  
SINGLE ROW : 2316102  
DUAL ROW : 2316108, 2316109

5	-	2MM-RT-S-H-LP	LOOSE PIECE - HANDTOOL
5	30,000	2MM-RT-S-H-ST	OCEAN APPLICATOR
4	-	2MM-RT-S-M-LP	LOOSE PIECE - HANDTOOL
4	30,000	2MM-RT-S-M-ST	OCEAN APPLICATOR
3	-	2MM-RT-S-F-LP	LOOSE PIECE - HANDTOOL
3	30,000	2MM-RT-S-F-ST	OCEAN APPLICATOR
2	-	2MM-RT-S-T-LP	LOOSE PIECE - HANDTOOL
2	30,000	2MM-RT-S-T-ST	OCEAN APPLICATOR
FINISH	QTY PER REEL	SMART PN	TOOLING

THIS DRAWING IS A CONTROLLED DOCUMENT.

DIMENSIONS: mm	TOLERANCES UNLESS OTHERWISE SPECIFIED:	DWN 29OCT2017 SOURAV DAS	TE Connectivity
		CHK 29OCT2017 RAKSHITH R NAYAK	
		APVD 08DEC2017 PRASHANTH	
		PRODUCT SPEC 108-64040-1	
MATERIAL SEE NOTE		APPLICATION SPEC 114-32173	NAME AMPMODU 2mm RECEPTACLE, wTB CRIMP CONTACT, AWG 30-28
		WEIGHT -	SIZE A2
		CUSTOMER DRAWING	CAGE CODE 00779
			DRAWING NO C-2316114
			RESTRICTED TO -
			SCALE 12:1
			SHEET 1 OF 2
			REV A1

REVISIONS

P	LTR	DESCRIPTION	DATE	DWN	APVD
-		SEE SHEET 1	-	-	-

SMART PART NUMBER  
2MM - RT - S - - - -

PRODUCT SERIES

2MM	AMPMODU 2mm SERIES
-----	--------------------

PACKAGING

ST	STRIP
LP	LOOSE PIECE

GENDER / TYPE

RT	RECEPTACLE CRIMP CONTACT
----	--------------------------

PLATING


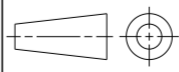
T	TIN
F	GOLD FLASH
M	0.38 μm GOLD
H	0.76 μm GOLD

WIRE SIZE

S	AWG 30-28
---	-----------

SMART PN EXAMPLES:

- 2MM-RT-S-T-ST:  
AMPMODU 2mm, RECEPTACLE CRIMP CONTACT, AWG 30-28 SIZE WIRE, TIN PLATED, STRIP PACKAGING
- 2MM-RT-S-M-LP:  
AMPMODU 2mm, RECEPTACLE CRIMP CONTACT, AWG 30-28 SIZE WIRE, 0.38 μm GOLD PLATED, LOOSE PIECE PACKAGING

THIS DRAWING IS A CONTROLLED DOCUMENT.		DWN SOURAV DAS 29OCT2017	 TE Connectivity	
DIMENSIONS: mm		CHK RAKSHITH R NAYAK 29OCT2017		
TOLERANCES UNLESS OTHERWISE SPECIFIED:		APVD PRASHANTH 08DEC2017	NAME AMPMODU 2mm RECEPTACLE, wTB CRIMP CONTACT, AWG 30-28	
		PRODUCT SPEC 108-64040-1	RESTRICTED TO -	
MATERIAL SEE NOTE		APPLICATION SPEC 114-32173	SIZE A2	CAGE CODE 100779
-		WEIGHT -	DRAWING NO C-2316114	SCALE 12:1
-		CUSTOMER DRAWING	SHEET 2	OF 2
			REV A1	