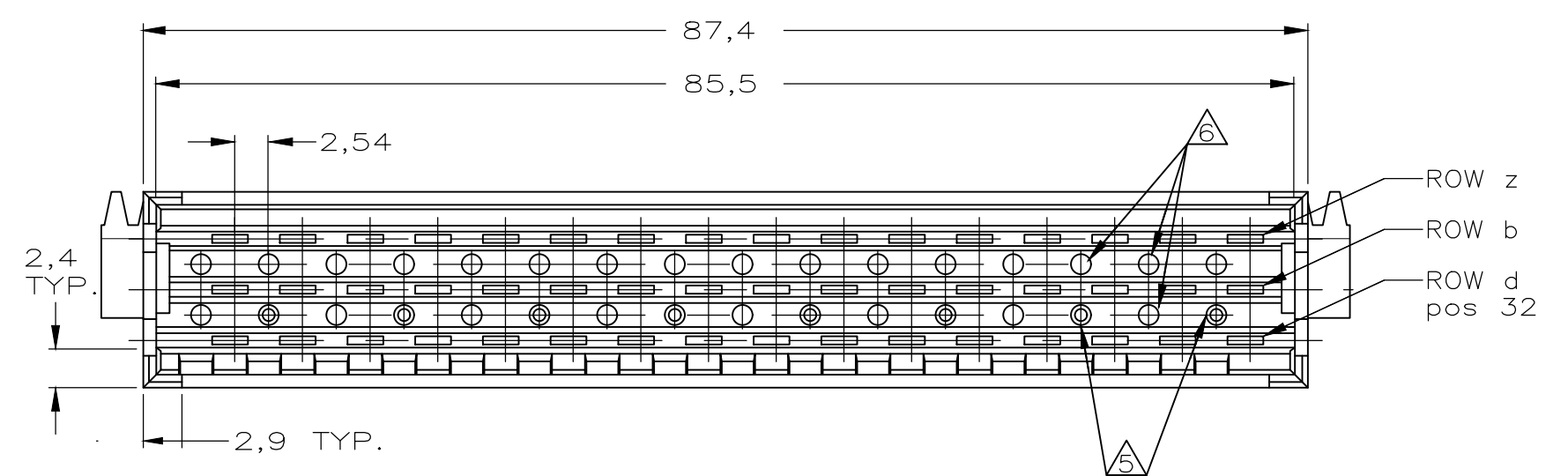
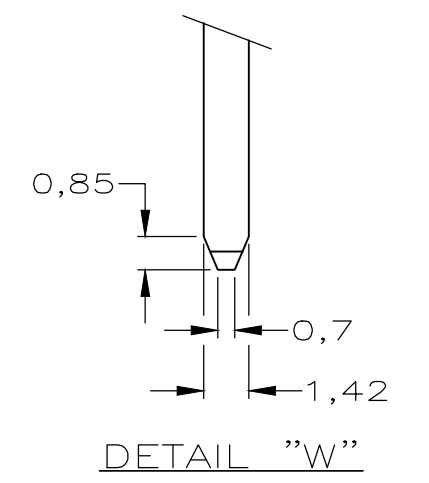
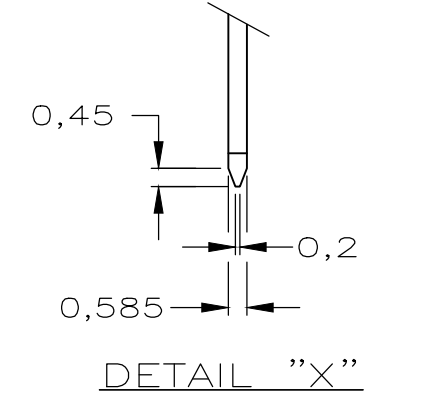
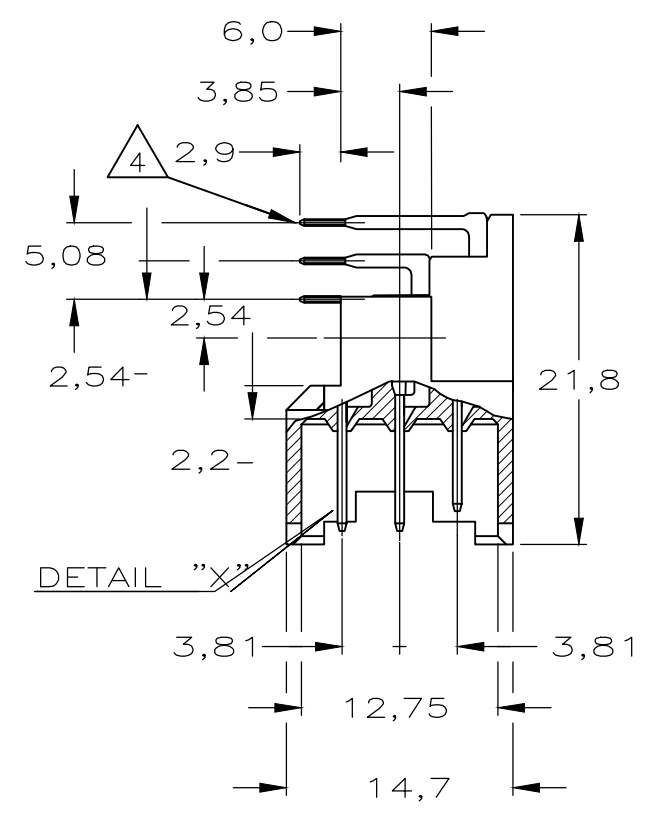
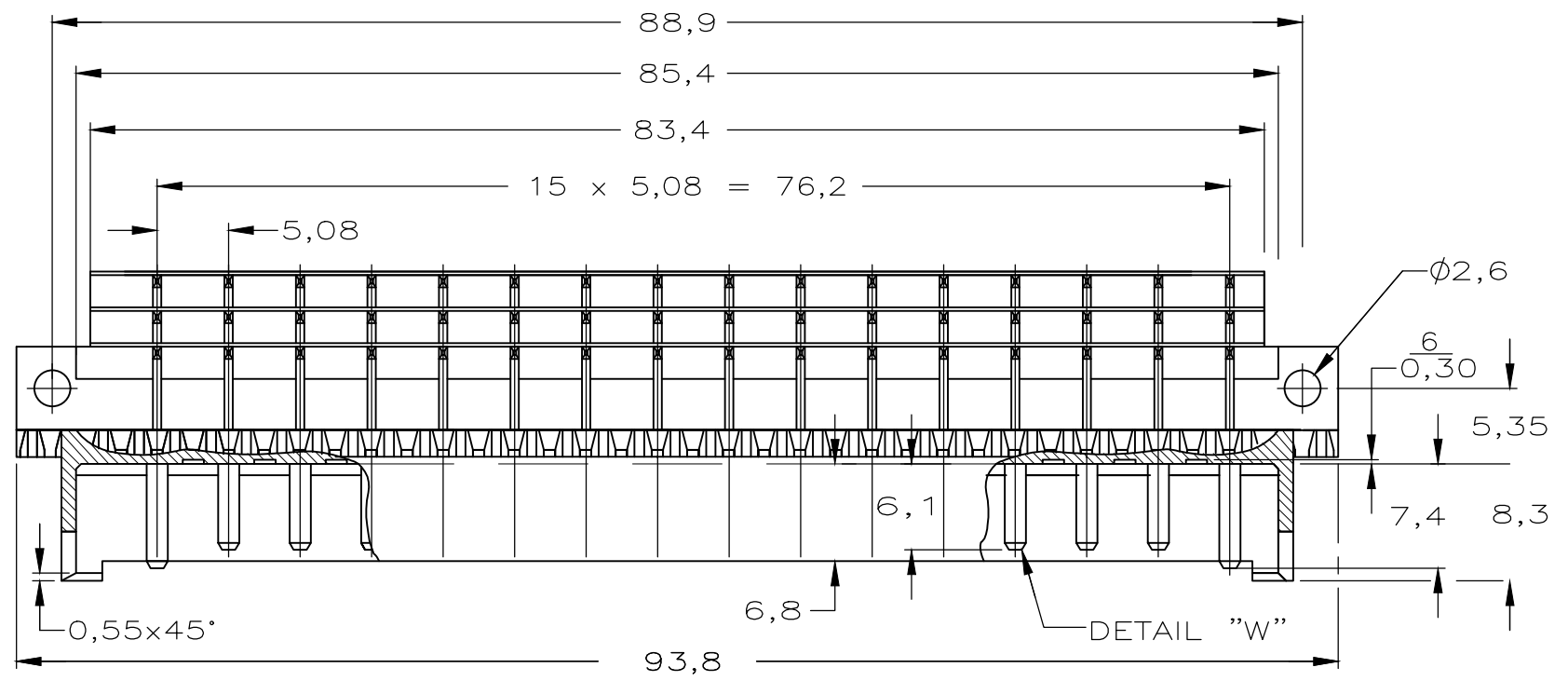


REVISIONS					
P	LTR	DESCRIPTION	DATE	DWN	APVD
	C	REVISED PER ECO-20-012547	04NOV2020	RZ	HL



POS. NO	2	4	6	8	10	12	14	16	18	20	22	24	26	28	30	32
F 48 ROW	z	⊗	x	x	x	x	x	x	x	x	x	x	x	x	x	x
	d	⊗	x	x	x	x	x	x	x	x	x	x	x	x	x	⊗
	u	x	x	x	x	x	x	x	x	x	x	x	x	x	x	x

AN ASTERISK „X” DENOTES A STANDARD CONTACT.
AN ASTERISK „⊗” DENOTES A FMLB CONTACT.

NOTES

- 1 MATERIAL:
-HOUSING: THERMOPLASTIC POLYESTER, COLOR GREY.
-CONTACTS: BRASS.
- 2 PLATING CONTACT: 1,25 μm Au OVER 1,25 μm Ni IN CONTACT AREA.
Sn over 1,25 μm Ni ON SOLDER POST.
- 3 PLATING CONTACT: 0,8 μm Au OVER 1,25 μm Ni IN CONTACT AREA.
- 4 SOLDER POSTS SUITABLE FOR P.C.B. HOLES
0,8±0,05 OR 1,0±0,1 DIA.
- 5 8 HOLES SUITABLE FOR KEYING PIN PN. 215916-1.
- 6 KEYING HOLES TO BE DRILLED BY CUSTOMER.

OBSOLETE	SEE NOTE 3	SEE NOTE 1	0-1377389-4
	SEE NOTE 2		0-1377389-1
	FINISH	MATERIAL	PART NUMBER

THIS DRAWING IS A CONTROLLED DOCUMENT.		DWN RvHEUVEN 03-09-00	STE TE Connectivity	
		CHK R. FIJTEN 03-09-00		
		APVD R. FIJTEN 03-09-00	NAME 48 POS. DIN 41612 F MALE	
		PRODUCT SPEC	90	
		APPLICATION SPEC	-	
		WEIGHT 0.000000	SIZE A3	CAGE CODE 00779
		CUSTOMER DRAWING	DRAWING NO C-1377389	RESTRICTED TO -
			SCALE -	SHEET 1 OF 1
				REV C