

4

3

2

1

THIS DRAWING IS UNPUBLISHED.

RELEASED FOR PUBLICATION

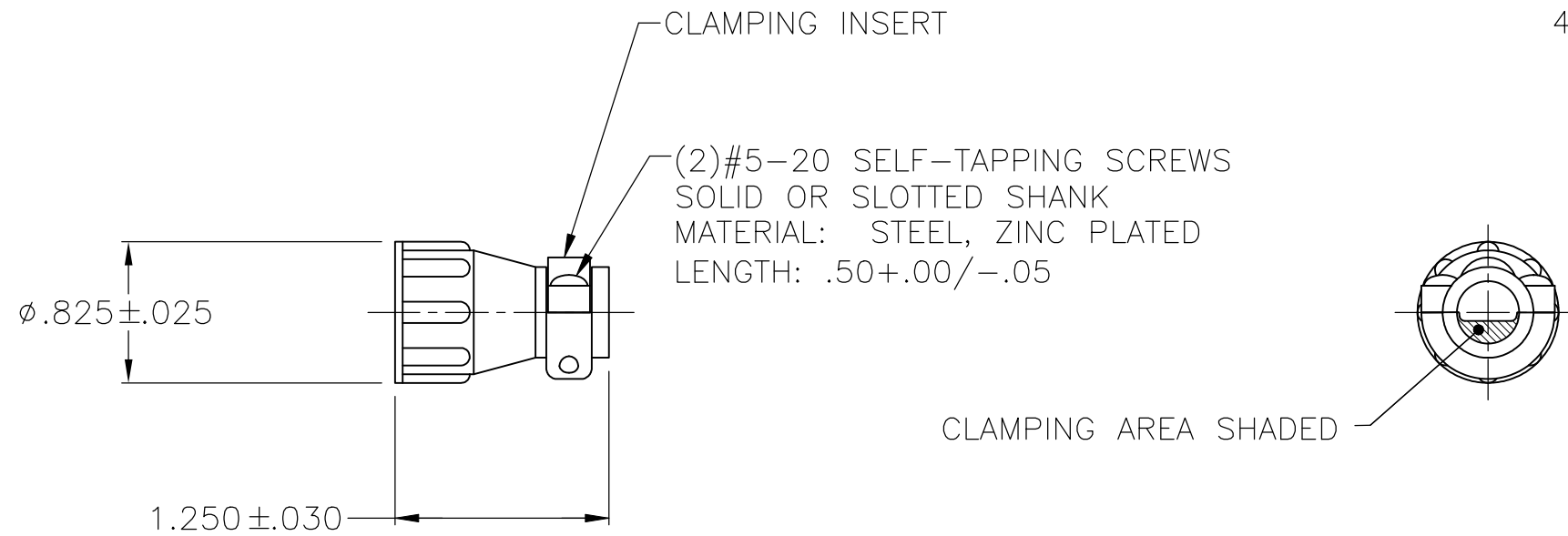
© COPYRIGHT - By -

ALL RIGHTS RESERVED.

REVISIONS

P	LTR	DESCRIPTION	DATE	DWN	APVD
1		NEW DRAWING	24JAN2017	BDA	MZ
A		REVISED PER ECO-19-003208	05MAR2019	RS	MZ

- 1 PARTS PACKAGED UNASSEMBLED.
- 2 CABLE CLAMPING AREA ADJUSTABLE FROM .004 TO .055 SQ IN BY REVERSING CLAMPING INSERTS.
- 3 .329 MAXIMUM CABLE OUTSIDE DIAMETER.
- 4 HOUSINGS MADE FROM MATERIAL RATED F1 FOR OUTDOOR SUITABILITY PER UL 746C..



INDIVIDUAL	2267393-1
PACKAGING	PART NUMBER

THIS DRAWING IS A CONTROLLED DOCUMENT.		DWN	24JAN2017	TE Connectivity	
		CHK	24JAN2017		
		APVD	24JAN2017		
		PRODUCT SPEC			
DIMENSIONS: INCHES 		TOLERANCES UNLESS OTHERWISE SPECIFIED: 0 PLC ± - 1 PLC ± - 2 PLC ± - 3 PLC ± - 4 PLC ± - ANGLES ± -		NAME CPC SHELL SIZE 11 STANDARD CABLE CLAMP KIT, UV RESISTANT	
MATERIAL		FINISH		SIZE	RESTRICTED TO
THERMOPLASTIC		-		A3	-
CUSTOMER DRAWING				SCALE	REV
				NTS	A
				SHEET	1 OF 1