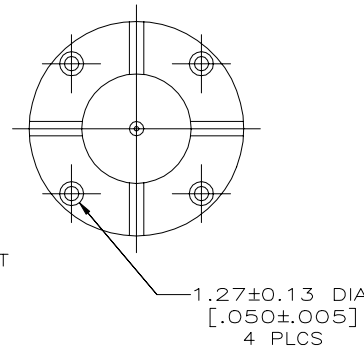
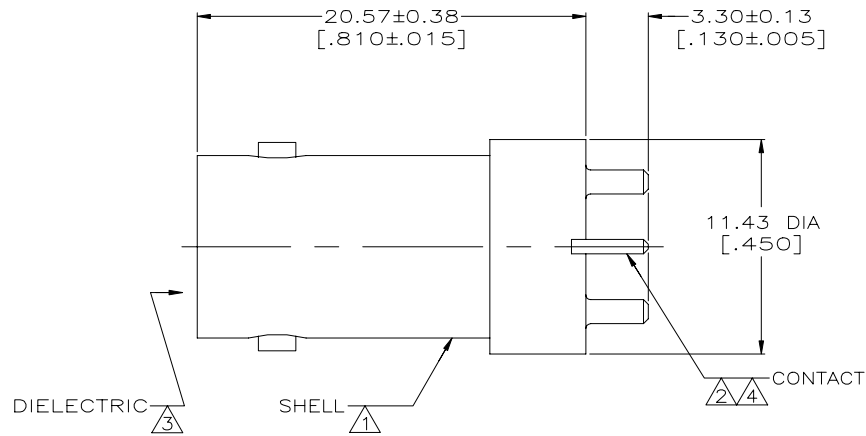
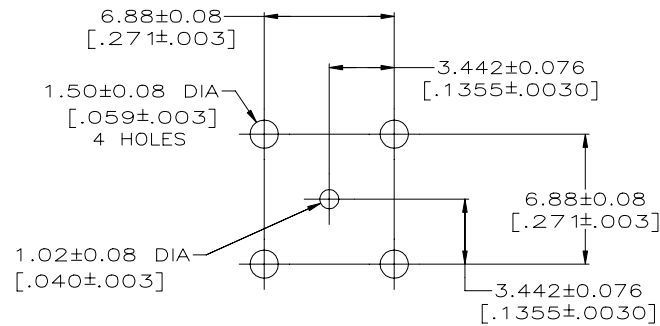


P	LTR	DESCRIPTION	DATE	DWN	APVD
A3		REVISED PER ECR-22-146621	26JUL2022	RZ	WK



- ① ZINC PER QQ-Z-363
- ② BERYLLIUM COPPER PER ASTM-B-196
- ③ PTFE PER MIL-P-19468
- ④ GOLD PLATE PER MIL-G-45204  
0.76 μm [.000030] MINIMUM THICK.
- ⑤ TIN PLATE PER ASTM-B-545,  
3.04 μm [.000120] MINIMUM THICK.
- 6. SEE INSTRUCTION SHEET 408-9889.
- ⑦ NICKEL PLATE PER QQ-N-290  
5.08 μm [.000200] MINIMUM THICK.
- ⑧ PACKAGE: 100 PER BAG/CARTON
- ⑨ PACKAGE: 28 PER TRAY PACKAGE



PCB CONFIGURATION

⑨	⑤	1-6274291-1
⑧	⑦	6274291-2
⑧	⑤	6274291-1
SHELL FINISH		PART NUMBER

THIS DRAWING IS A CONTROLLED DOCUMENT.		DWN L. VARELA - 02FEB2005	TE Connectivity	
DIMENSIONS: INCHES		CHK J. HAVFNER - 02FEB2005	NAME JACK, VERTICAL, PCB, 75 OHM, COMMERCIAL BNC	
TOLERANCES UNLESS OTHERWISE SPECIFIED:		APVD J. LIPPERT - 02FEB2005	PRODUCT SPEC: 108-12078	
0 PLC ± -		APPLICATION SPEC		
1 PLC ± -		WEIGHT 0.000000		
2 PLC ± 0.20 [.008]		SIZE A2		
3 PLC ± -		CAGE CODE 00779		
4 PLC ± -		DRAWING NO 6274291		
ANGLES ± -		RESTRICTED TO		
MATERIAL SEE NOTES 1 - 3		FINISH SEE NOTES 4, 5		SCALE 5:1
CUSTOMER DRAWING		SHEET 1 of 1		REV A3