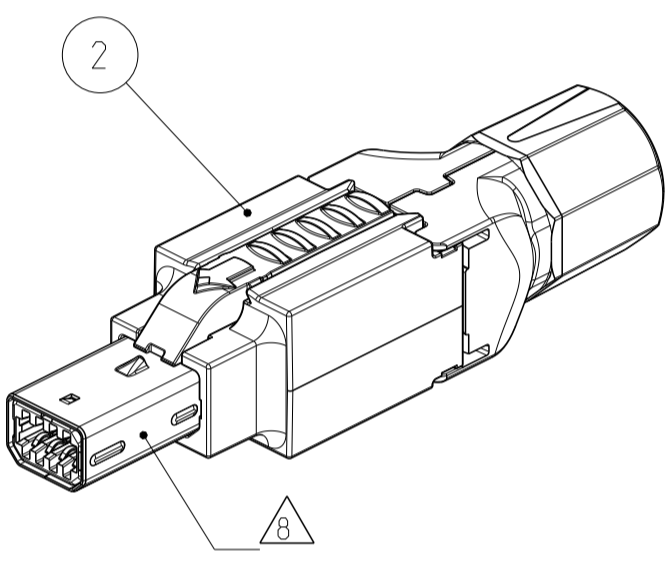
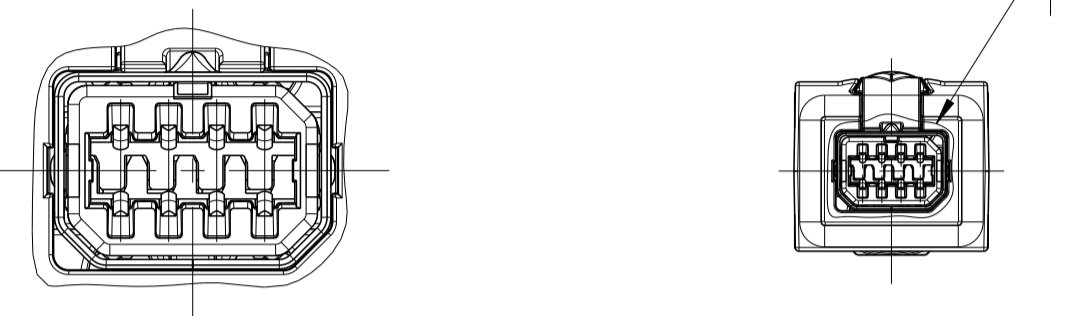


REVISIONS		DATE	OWN	APVD
P.	LTN	DESCRIPTION	DESCRIPTION	BESCHREIBUNG
A1		DRAWING ACTIVATED	21JUL2020	ER JDB
A2		-2 AND 1--2 ACTIVATED PER PCN E-20-011324	11AUG2020	ER JDB
B1		PCB IMPROVED PER PCN E-20-014492	15OCT2020	ER JDB
B2		NOTE 8 ADDED	11NOV2020	SS JDB

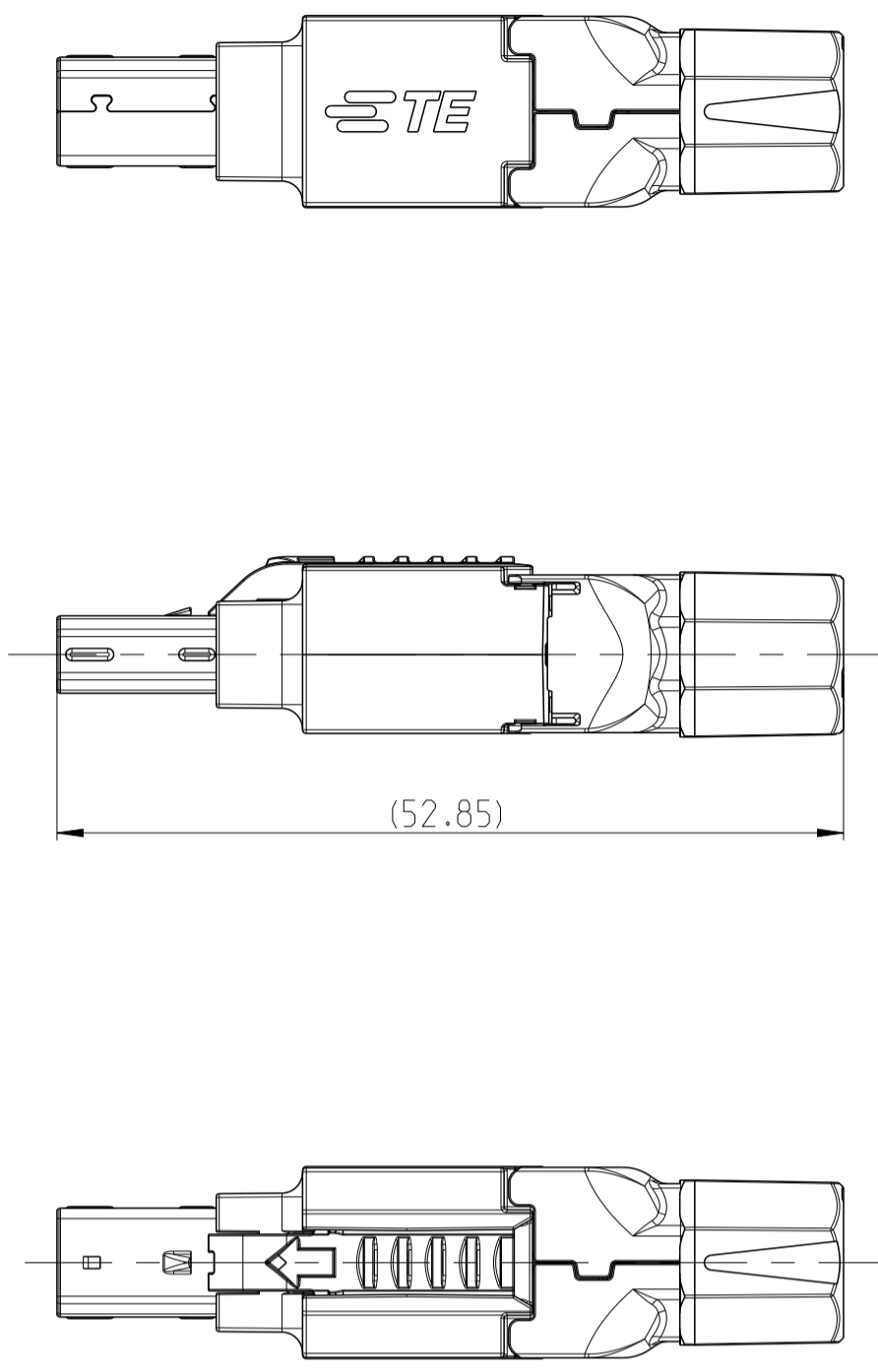
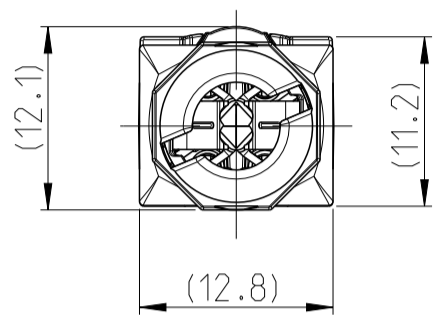
### TYPE II, U-SHAPE ASSEMBLY STATE

NOT SPECIFIED NOTES AND DIMENSIONS SEE -1

DETAIL Y  
TYPE II, D-SHAPE  
SCALE 5:1

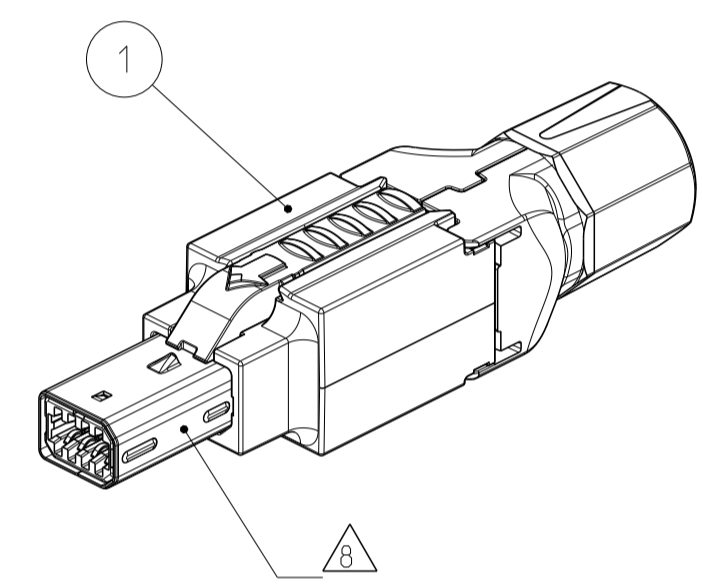
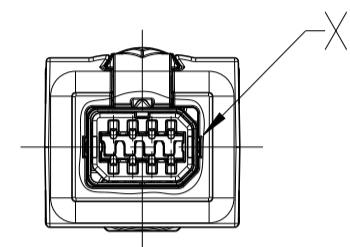


-2 AS SHOWN

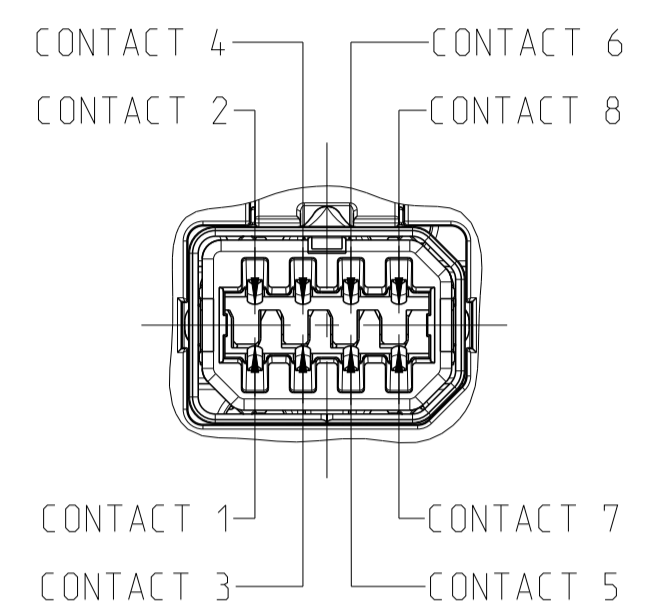


### TYPE I, D-SHAPE ASSEMBLY STATE

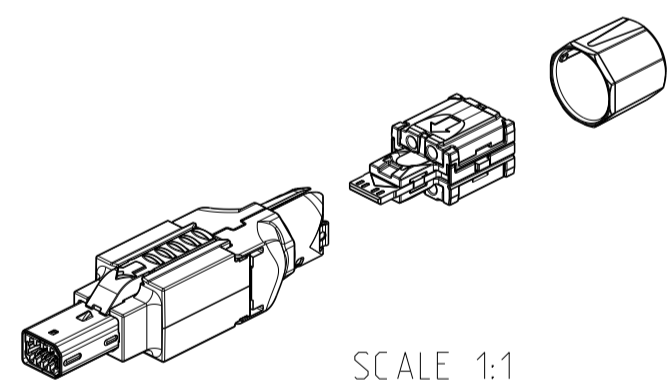
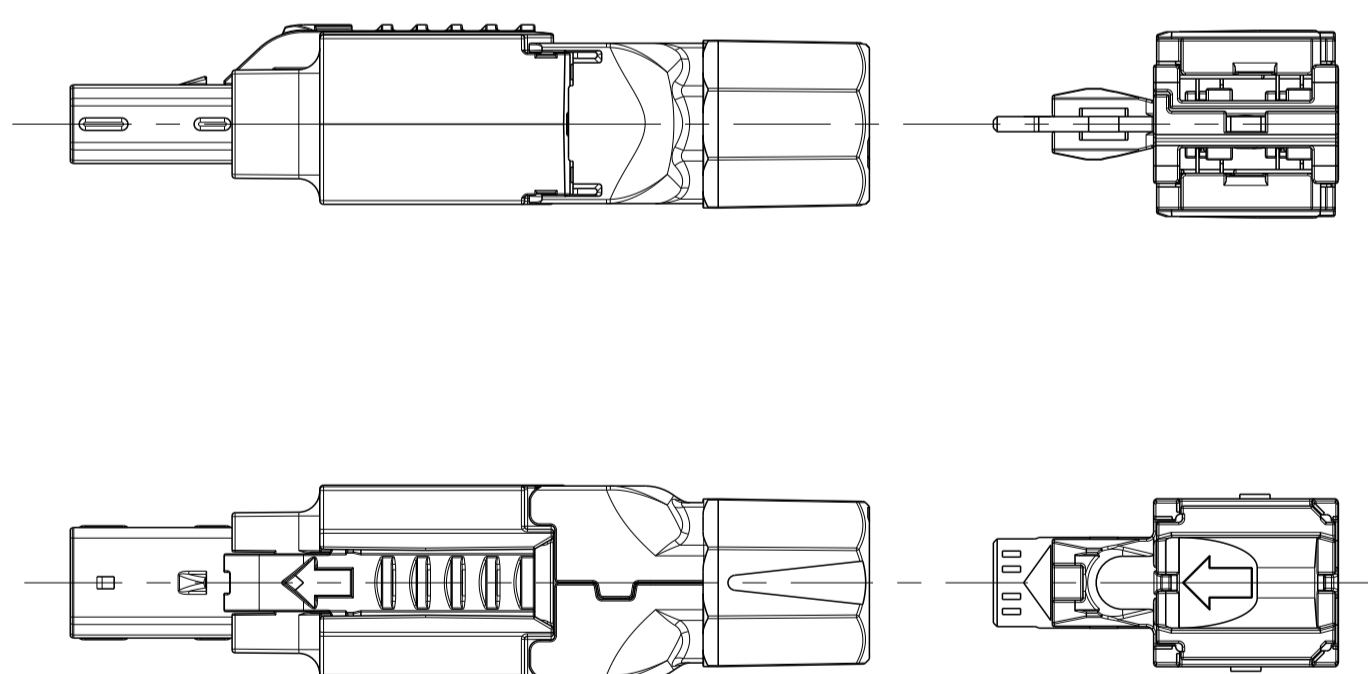
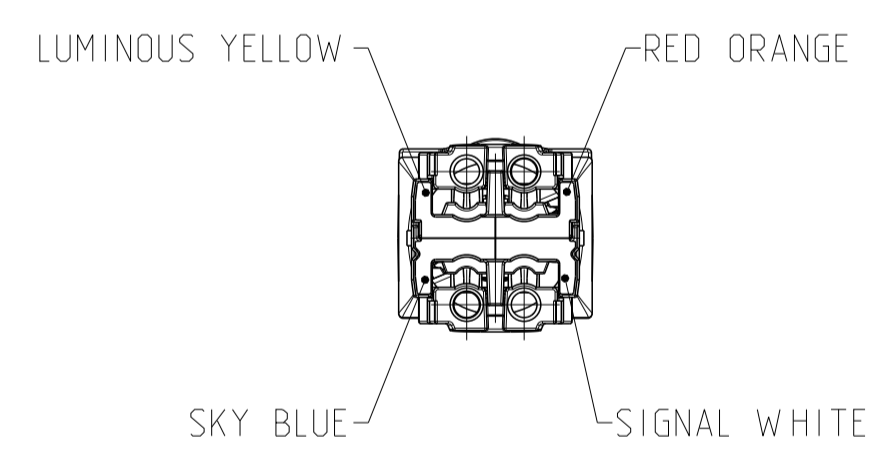
DETAIL X  
TYPE I, D-SHAPE  
SCALE 5:1



-1 AS SHOWN

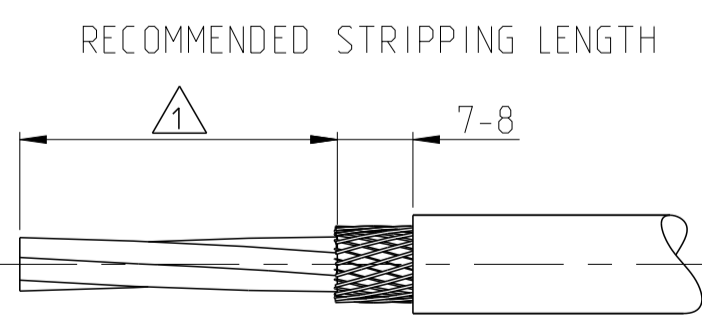


### DELIVERY STATE



SCALE 1:1

CABLE: 4 POS. AWG 22 STRANDED OR SOLID



COLOR ALLOCATION OF MINI IO CONTACTS 4 POS. TYPE:

CONTACT NO.	WIRE COLOR
1	YELLOW
2	ORANGE
3	WHITE
6	BLUE

- △ RECOMMENDED LENGTH OF DISMANTLED CABLE MIN. 40mm ACC. APPLICATION SPEC. 114-94602
- △ SINGLE PACKAGING: 1 PIECE OF EACH COMPONENT PACKED IN A FOLDING CARTON WITH AN INSTRUCTION SHEET. FOLDING CARTON PACKED IN A CORRUGATED SHIPPING BOX. SEE PACKAGING SPEC. 107-18136
- △ MULTI PACKAGING: PACKED IN A SMALL BOX AND SEPARATED BY AN CORRUGATED SPACER. 60 PIECES OF CONNECTORS ASSEMBLED WITH A BAYONET NUT AND 60 PIECES OF TERMINATION UNITS WITH ONE INSTRUCTION SHEET. SEE PACKAGING SPEC. 107-18136
- 5 APPLICATION SEE INSTRUCTION SHEET 408-18020
- 6 CABLE CROSS-SECTION AWG22: WIRE DIAMETER 1.4-1.6mm  
CABLE OUTSIDE-DIAMETER 4.6-MAX.5.7mm
- 7 CONNECTOR ACC. TO IEC61076-3-122. ISSUED 2018.  
CONNECTOR COMPATIBLE WITH MINI IO FAMILY
- △ COATED SURFACE (TOUCHING IS NOT RECOMMENDED TO AVOID REMOVAL OF COATING DURING HANDLING PROCESS)

QUANTITY	DESCRIPTION	SURFACE COLOUR	MATERIAL	POS.
1-2350278-2	MINI IO CONNECTOR CAT5e FI, 2x2 Pos., AWG 22, 180 DEG.; CABLE DIA. 5.7; WITH INSTRUCTION SHEET; TYPE II U-SHAPE / TIA 568A	-	-	2
2350278-2	MINI IO CONNECTOR CAT5e FI, 2x2 Pos., AWG 22, 180 DEG.; CABLE DIA. 5.7; WITH INSTRUCTION SHEET; TYPE I D-SHAPE / TIA 568A	-	-	1

### TE CONNECTIVITY ORDER-NO.

TOLERANCING ISO 8015  
GEOMETRIC TOLERANCING ISO 1101  
SIZE ISO 14405  
GENERAL TOLERANCES ISO 2768-K

THIS DRAWING IS A CONTROLLED DOCUMENT. DIMENSIONING AND TOLERANCING PER GPS (ISO STANDARDS)

TE Connectivity

DATE: 05MAR2019  
DRAWING NO: 00779  
SCALE: 5:1

REVISIONS: A1, A2, B1, B2