

THIS DRAWING IS UNPUBLISHED.

RELEASED FOR PUBLICATION

ALL RIGHTS RESERVED.

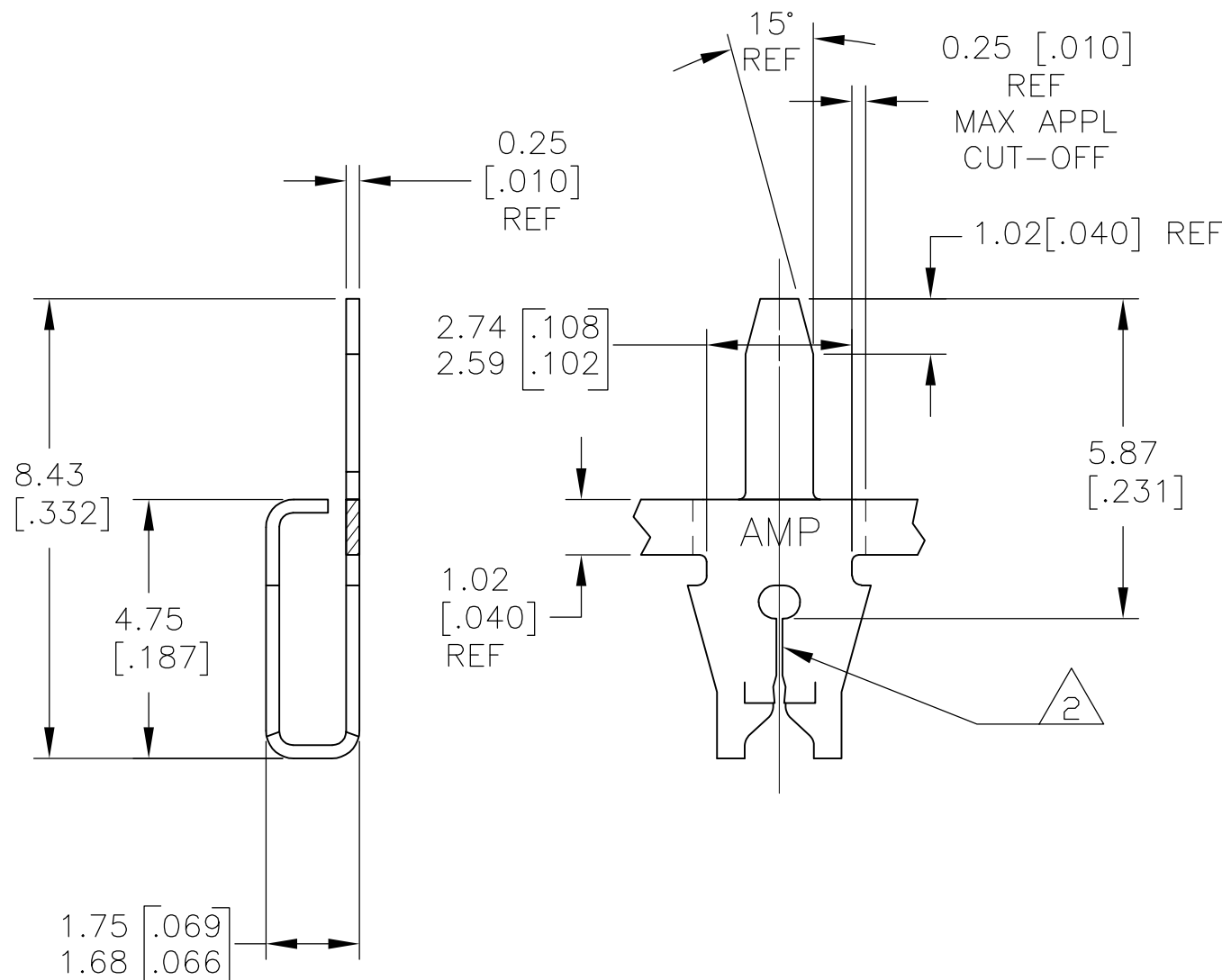
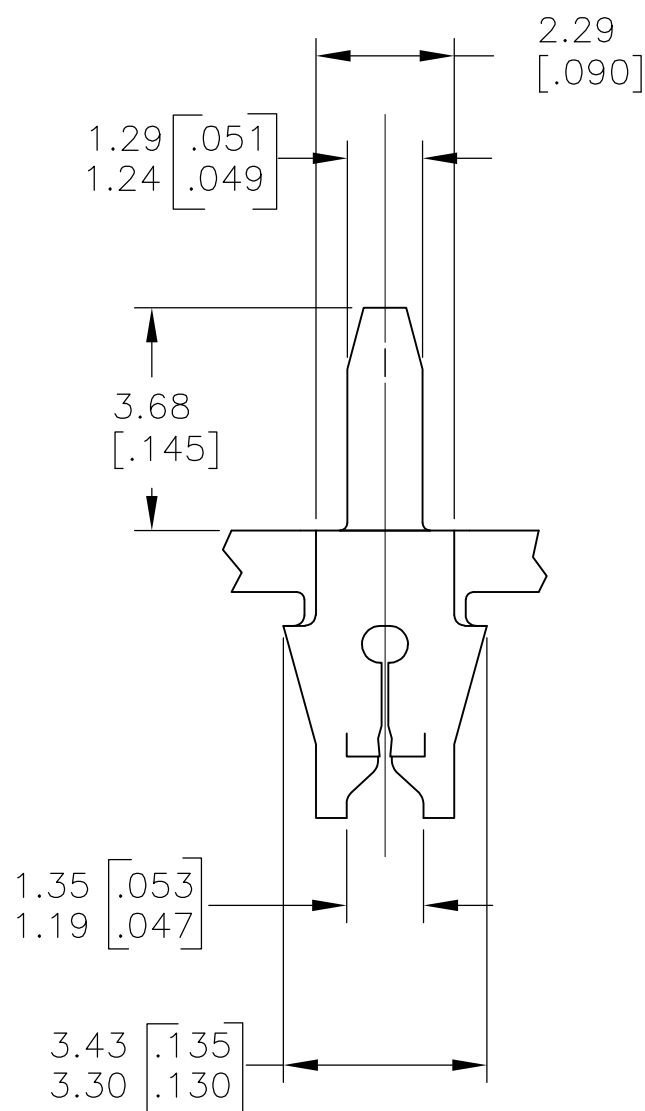
© COPYRIGHT - By -

REVISIONS

P	LTR	DESCRIPTION	DATE	DWN	APVD
	A	REVISED PER ECR-18-001192	05FEB2018	BDA	KR

1 CONTINUOUS STRIP ON REELS  
AT 5.08±0.08 [.200±.003] CENTERS.

2 SLOTTED ACCEPTS A SINGLE OR DOUBLE  
WIRE OF SAME SIZE AND TYPE.  
COPPER MAGNET WIRE:  
DIA 0.16-0.18mm [#34-#33] AWG  
ALUMINUM MAGNET WIRE:  
DIA 0.18-0.23mm [#33-#31] AWG



2238061-1

PART NO.

THIS DRAWING IS A CONTROLLED DOCUMENT.

DWN B WAYNE 25FEB2015

CHK KURT RANDOLPH 25FEB15

APVD KURT RANDOLPH 25FEB15

PRODUCT SPEC

108-2012

APPLICATION SPEC

114-2069

WEIGHT

CUSTOMER DRAWING

NAME  
TERMINAL, POSTED,  
187 SERIES, MAG-MATE

SIZE	CAGE CODE	DRAWING NO	RESTRICTED TO
A3	00779	C-2238061	-

SCALE	SHEET	REV
8:1	1 OF 1	A

DIMENSIONS: MM [ INCHES ]	TOLERANCES UNLESS OTHERWISE SPECIFIED:
	0 PLC ± -
	1 PLC ± -
	2 PLC ± 0.25 [.010]
	3 PLC ± -
	4 PLC ± -
	ANGLES ± -
MATERIAL	FINISH
BRASS	TIN

