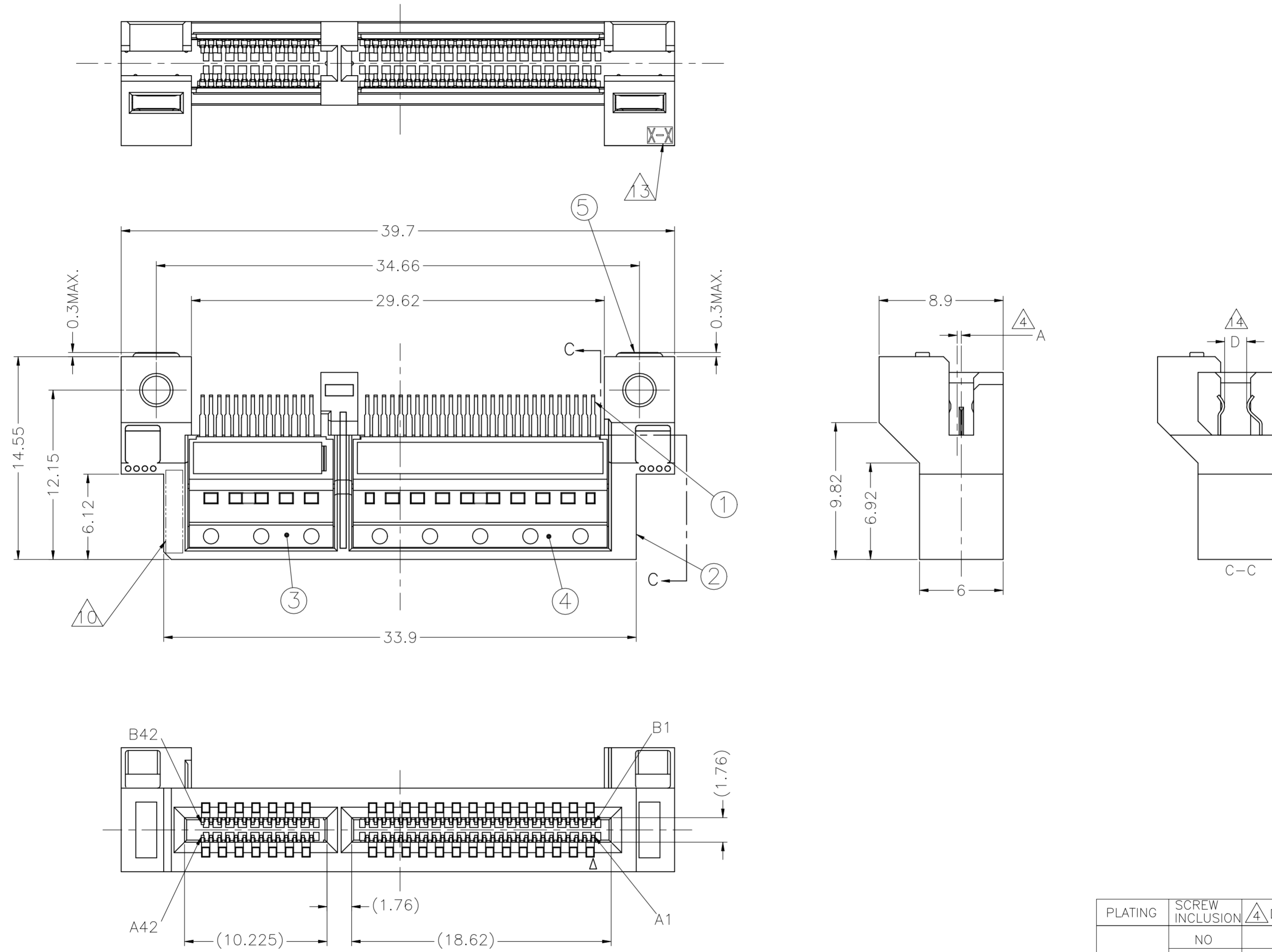


REVISIONS					
P	LTR	DESCRIPTION	DATE	DWN	APVD
F1	ECR-23-170126		27MAR2023	AD	HL



PLATING	SCREW INCLUSION	△4 DIM A	△3 DIM B (HOST BOARD THICKNESS)	△14 DIM D	PARTS No.
0.76μm Au	NO	0	2.55 ±0.23	2.15	4-2340326-3
	YES	0	2.55 ±0.23	2.15	4-2340326-1
	NO	0	2.36 ±0.23	1.97	2-2340326-3
	YES	0	2.36 ±0.23	1.97	2-2340326-1
	YES	0	1.57 ±0.15	1.22	2340326-1

QTY	NAME	ITEM No.
2	M2 SCREW	
2	M2 NUT PLATE	⑤
2	COVER HOUSING 28P	④
2	COVER HOUSING 14P	③
1	HOUSING	②
84	CONTACT	①

THIS DRAWING IS A CONTROLLED DOCUMENT.

DIMENSIONS: mm

TOLERANCES UNLESS OTHERWISE SPECIFIED: ±0.3

6 PLG ±

1 PLG ±

2 PLG ±

3 PLG ±

4 PLG ±

ANGLES ±

MATERIAL △1

FINISH △2

DWN M.TANAKA 30JUL2018

CHK J.TSUJI 30JUL2018

APVD K.KOBAYASHI 30JUL2018

NAME

PRODUCT SPEC 108-140197

APPLICATION SPEC 114-78033

WEIGHT 0

CUSTOMER DRAWING

TE Connectivity Ltd.

84 POSITION SILVER 2.0 STRADDLE MOUNT

SIZE A2 CAGE CODE 00779 DRAWING NO C=2340326 RESTRICTED TO

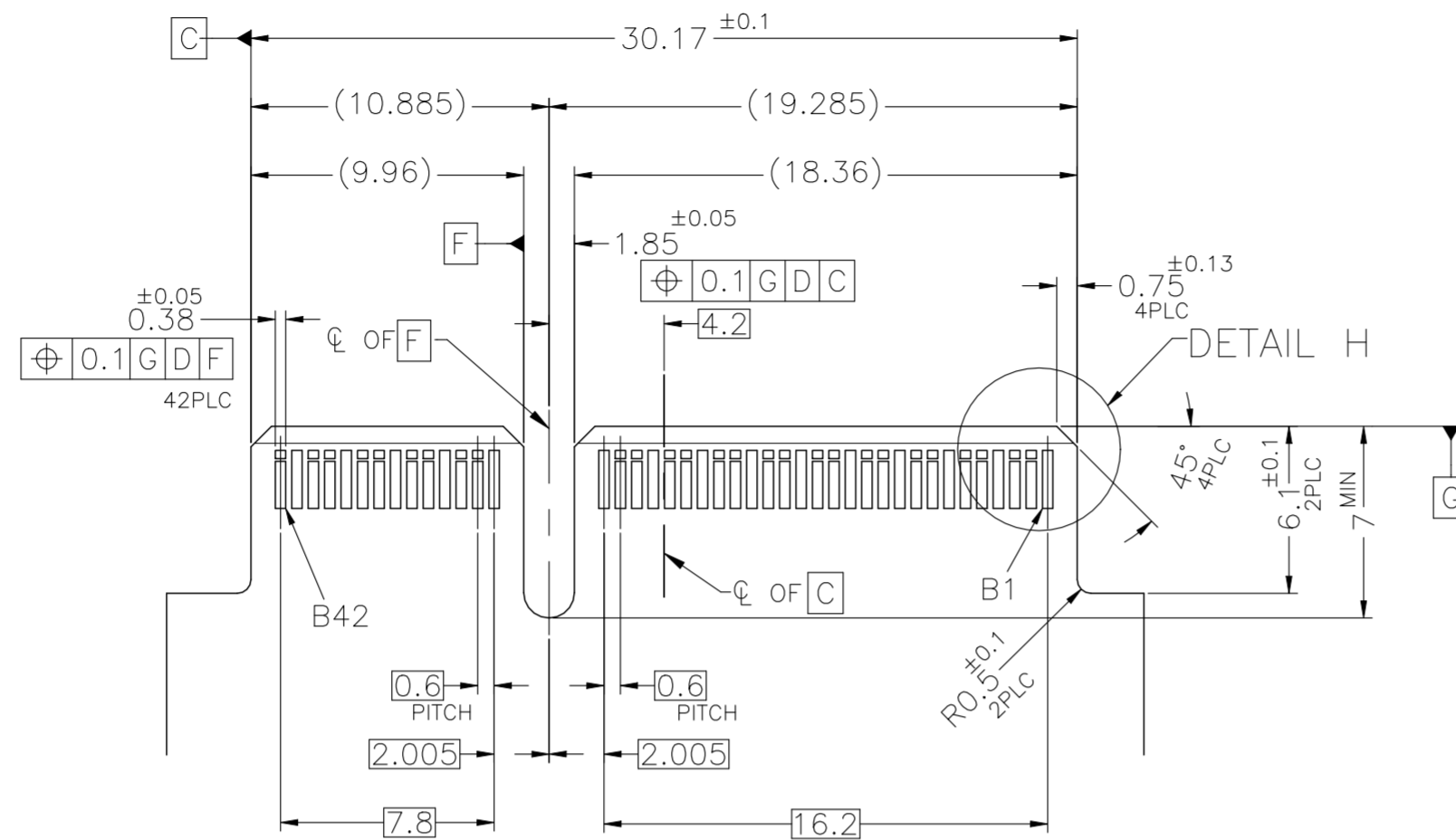
SCALE 4:1 SHEET 1 OF 4 REV F1

AS SHOWN : -1, 2--1, 2--3, 4--1, 4--3

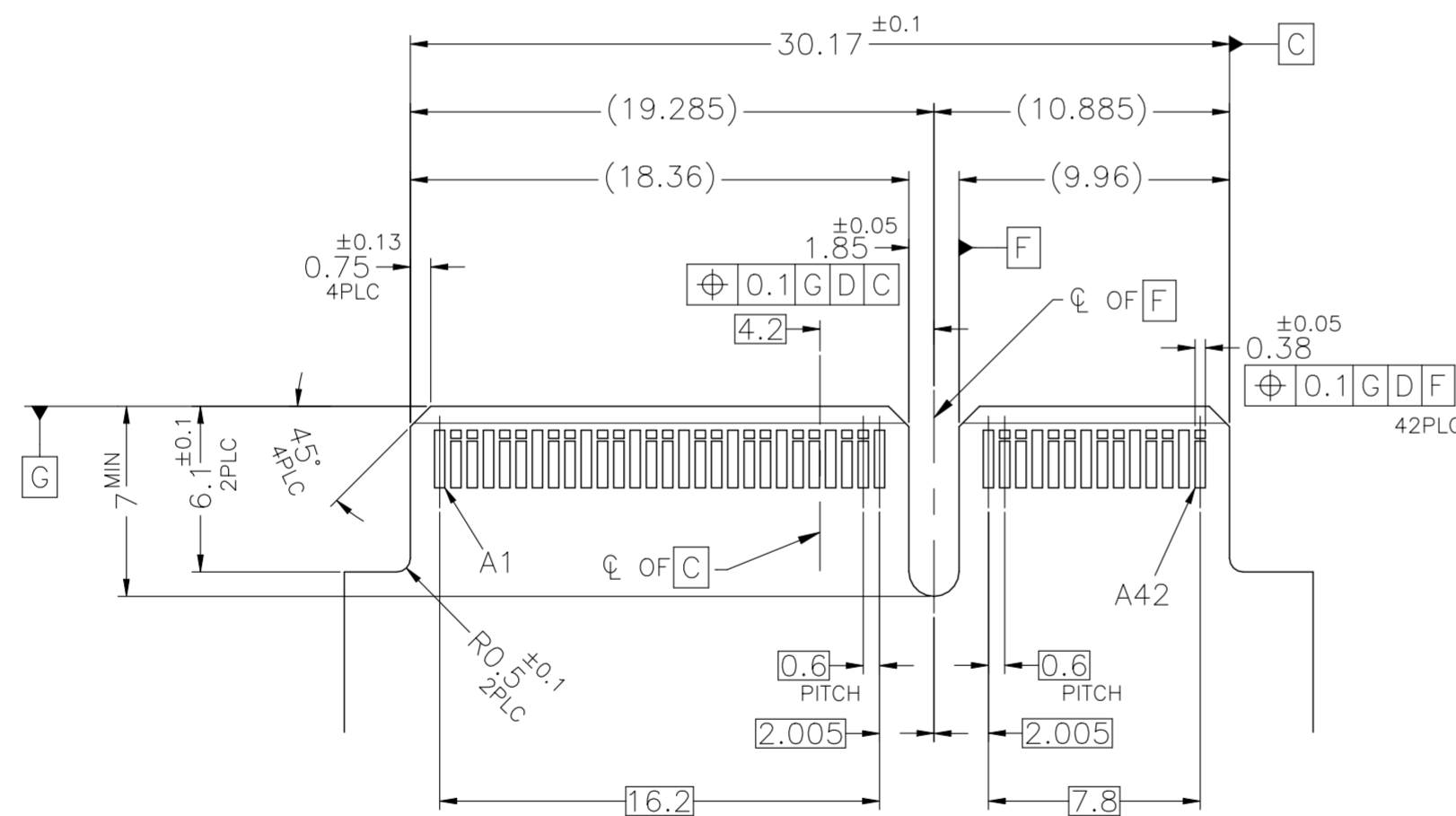
REVISIONS					
P	LTR	DESCRIPTION	DATE	DWN	APVD
-	-	SEE SHEET 1	-	-	-

NOTE

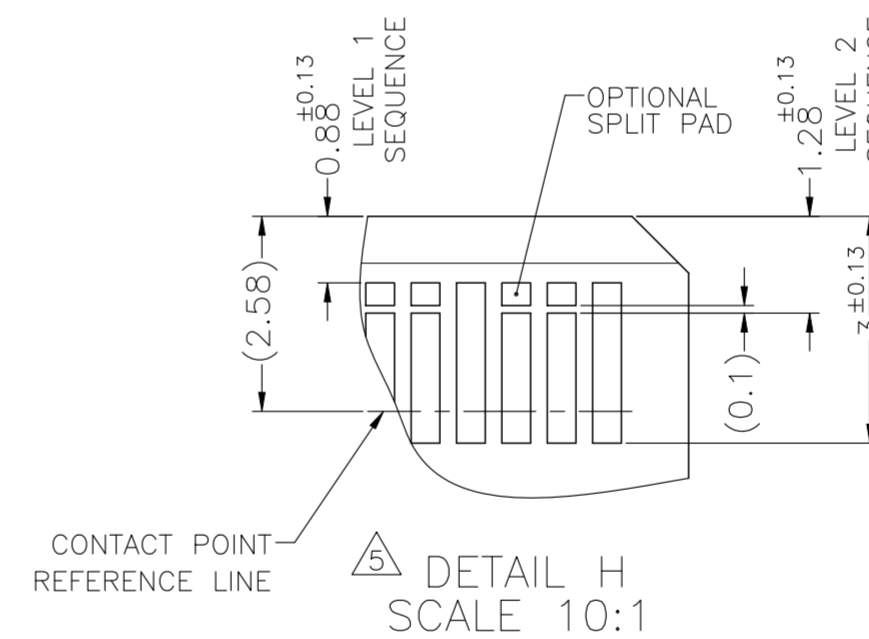
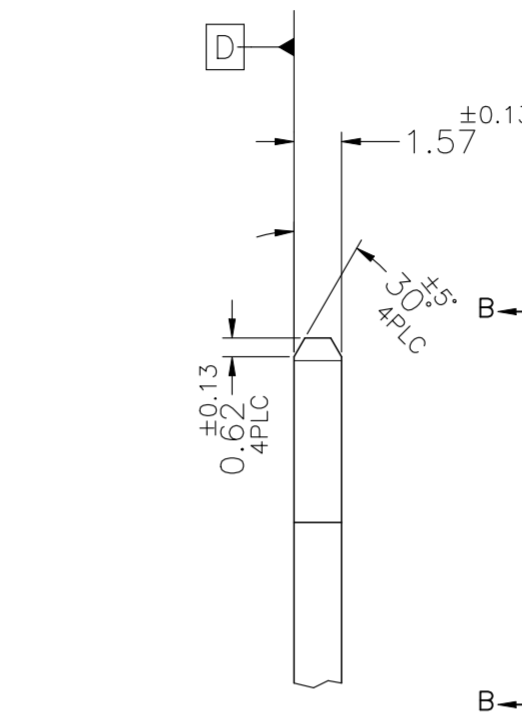
- 1 HOUSING AND COVER: LCP, UL94-V0, BLACK.
CONTACTS: COPPER ALLOY.
- 2 GOLD PLATED ON CONTACT AREA.
TIN PLATE ON SOLDER TAIL AREA.
- 3 APPLICABLE HOST BOARD THICKNESS
- 4 OFFSET AMOUNT BETWEEN AIC BOARD AND
HOST BOARD CENTER LINE.
- 5 SEE MSA SPECIFICATION FOR ADDITIONAL PADDLE
CARD LAYOUTS COMPATIBLE WITH THIS RECEPTACLE
AND FOR OPTIONAL SPLIT CONTACT PAD LAYOUTS
FOR THE PADDLE CARD. SPECIFICATION PINOUT
MAY ALSO DESIGNATE PAD SEQUENCE DIFFERENT
FROM ILLUSTRATION.
- 6 POSITIONS DESIGNATED AS "SIGNAL" ARE
RECOMMENDED LOCATIONS FOR HIGH SPEED
DIFFERENTIAL PAIR SIGNALING. THESE LOCATIONS
MAY ALSO BE USED FOR SUPPORTING SIDEBAND
SIGNALS OR OTHER UTILITY PURPOSES. POSITIONS
DESIGNATED AS "GROUND" ARE REQUIRED WHEN
SUPPORTING HIGH SPEED DIFFERENTIAL SIGNALS.
THESE LOCATIONS MAY ALSO BE USED FOR SIDEBAND
SIGNALS OR OTHER UTILITY PURPOSES.
- 7 CONTROLLED ACROSS PADS.
- 8 THIS LAYOUT IS ADOPTED IN SFF-TA-1002
- 9 SCREW IS ENCLOSED BY SEPARATE PACKING.
SCREW SIZE: M2
SCREW LENGTH(REF): 6
HEAD SIZE(REF): $\phi 3.5$, 1.3HEIGHT
- 10 DATE CODE MARKING.
- 11 CONNECTOR MUST BE FIXED ON PCB BY SCREW
AFTER SOLDERING.
- 12 ALL CHAMFERED EDGES AND EDGE OF PADS
SHALL BE FREE OF BURRS.
- 13 HOUSING ID MARK
- 14 CONTACT TO CONTACT GAP



8 REFERENCE AIC BOARD LAYOUT



VIEW B-B



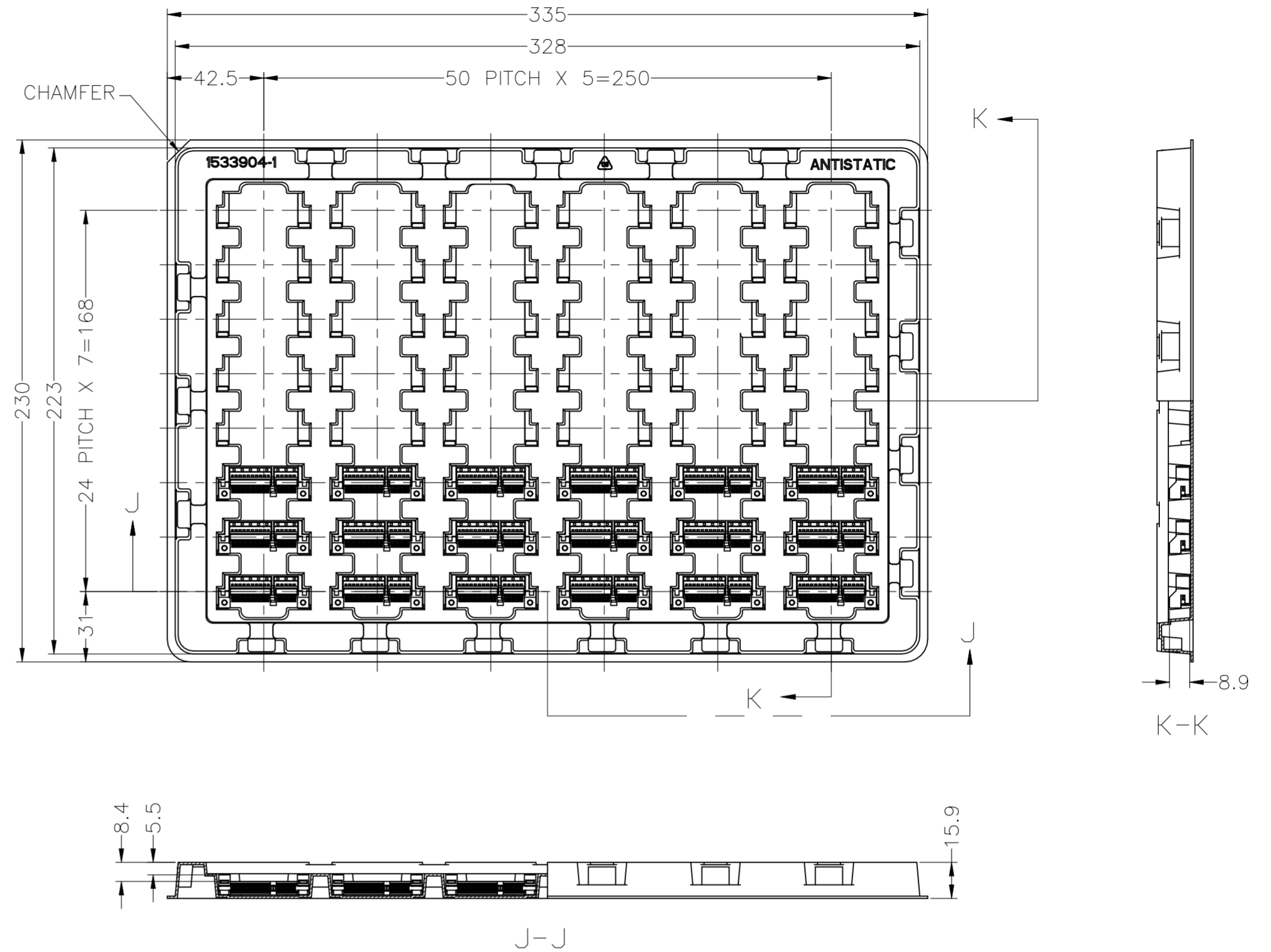
THIS DRAWING IS A CONTROLLED DOCUMENT.		DWN	TE Connectivity Ltd.	
DIMENSIONS: mm		CHK	NAME	
TOLERANCES UNLESS OTHERWISE SPECIFIED: ±0.3		APVD	84 POSITION SLIVER 2.0 STRADDLE MOUNT	
6 PLC ±		PRODUCT SPEC	SIZE	CAGE CODE
1 PLC ±		APPLICATION SPEC	A2	00779
2 PLC ±		WEIGHT	DRAWING NO	
3 PLC ±		CUSTOMER DRAWING	C=2340326	
4 PLC ±		SCALE	SHEET	
ANGLES		4:1	3 OF 4	
FINISH		REV	F1	

REVISIONS					
P	LTR	DESCRIPTION	DATE	DWN	APVD
-	-	SEE SHEET 1	-	-	-

CONNECTOR CONTACT IDENTIFICATION

CONTACT NUMBER	SIDE A	SIDE B
1	GROUND	GROUND
2	SIGNAL	SIGNAL
3	SIGNAL	SIGNAL
4	GROUND	GROUND
5	SIGNAL	SIGNAL
6	SIGNAL	SIGNAL
7	GROUND	GROUND
8	SIGNAL	SIGNAL
9	SIGNAL	SIGNAL
10	GROUND	GROUND
11	SIGNAL	SIGNAL
12	SIGNAL	SIGNAL
13	GROUND	GROUND
14	SIGNAL	SIGNAL
15	SIGNAL	SIGNAL
16	GROUND	GROUND
17	SIGNAL	SIGNAL
18	SIGNAL	SIGNAL
19	GROUND	GROUND
20	SIGNAL	SIGNAL
21	SIGNAL	SIGNAL
22	GROUND	GROUND
23	SIGNAL	SIGNAL
24	SIGNAL	SIGNAL
25	GROUND	GROUND
26	SIGNAL	SIGNAL
27	SIGNAL	SIGNAL
28	GROUND	GROUND

CONTACT NUMBER	SIDE A	SIDE B
29	GROUND	GROUND
30	SIGNAL	SIGNAL
31	SIGNAL	SIGNAL
32	GROUND	GROUND
33	SIGNAL	SIGNAL
34	SIGNAL	SIGNAL
35	GROUND	GROUND
36	SIGNAL	SIGNAL
37	SIGNAL	SIGNAL
38	GROUND	GROUND
39	SIGNAL	SIGNAL
40	SIGNAL	SIGNAL
41	GROUND	GROUND
42	GROUND	GROUND



SOFT TRAY PACKAGING: -1, 2--1, 2--3, 4--1, 4--3

1. MATERIAL: HIPS, COLOR: NATURAL
2. QTY. : 8 X 6 = 48 POCKETS PER TRAY
3. TOLERANCES ON TRAY DIMENSIONS ARE REFERENCE

THIS DRAWING IS A CONTROLLED DOCUMENT.		DWN	TE Connectivity Ltd.		
DIMENSIONS: mm		CHK	NAME		
TOLERANCES UNLESS OTHERWISE SPECIFIED:		APVD	84 POSITION		
0 PLG ± 1 PLG ± 2 PLG ± 3 PLG ± 4 PLG ± ANGLES ± FINISH		PRODUCT SPEC	SLIVER 2.0 STRADDLE MOUNT		
MATERIAL		APPLICATION SPEC	SIZE	CAGE CODE	DRAWING NO
		WEIGHT	A2	00779	C=2340326
		CUSTOMER DRAWING	SCALE	SHEET	REV
			NTS	4 OF 4	F1