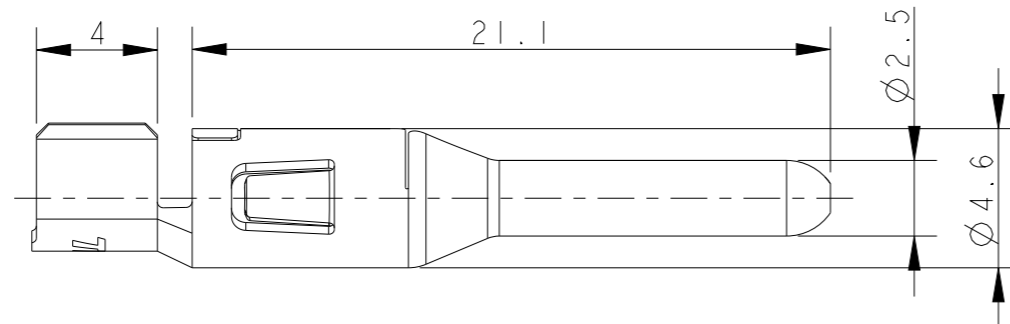
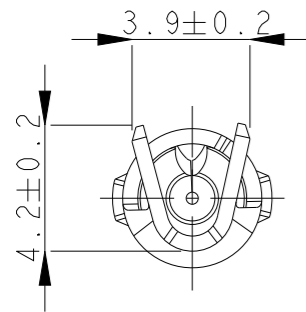
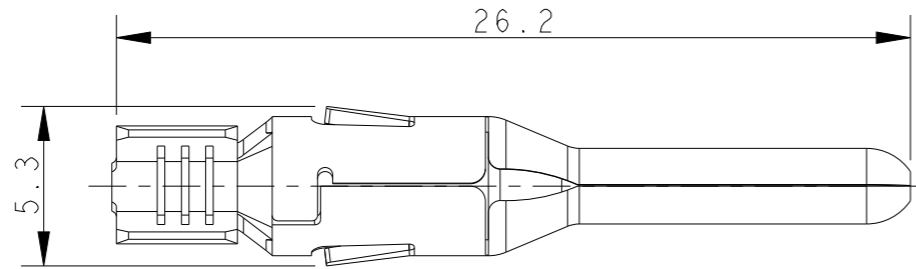
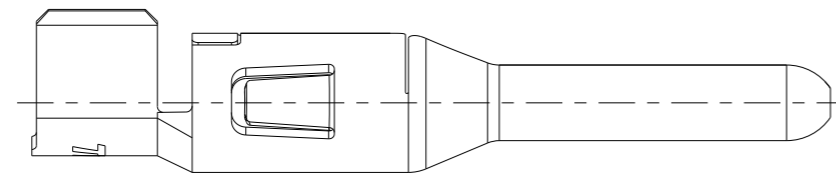
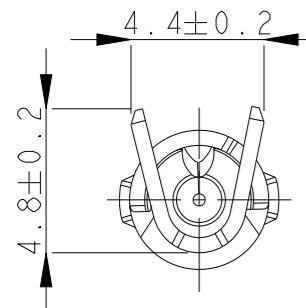


P	LTR	DESCRIPTION	DATE	DWN	APVD
A1		2359528-3 P/N ADDED FOR 18AWG	02JUN2021	SM	MZ
A2		18AWG RELEASED FOR PRODUCTION	28JAN2022	DM	SM
A3		RELEASED	18MAR2022	SM	MZ
A4		RELEASED	25MAR2022	SM	MZ

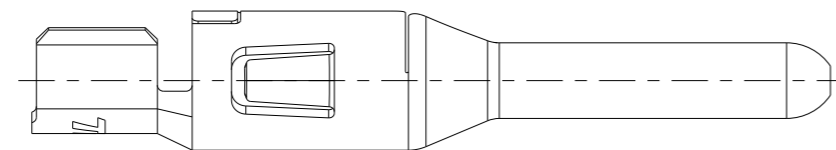
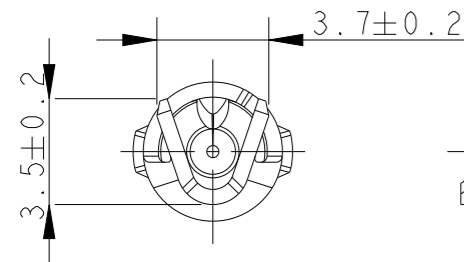
P/N 2359528-1



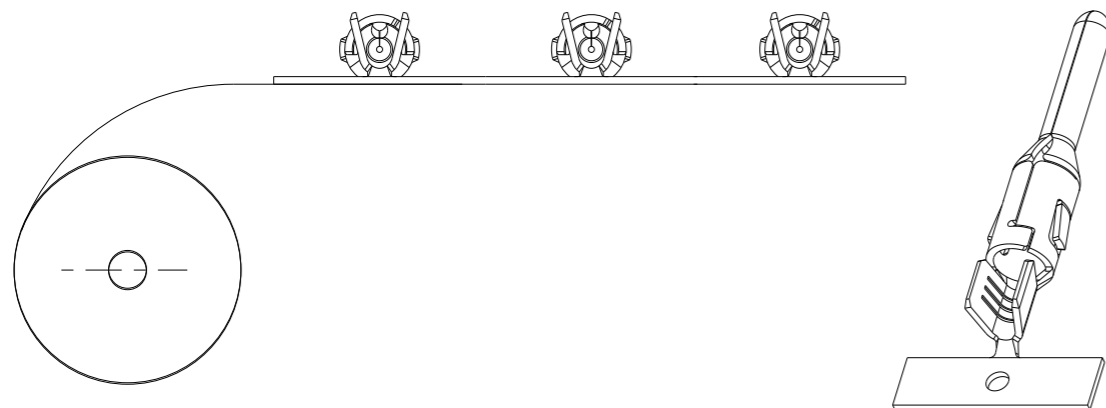
P/N 2359528-2



P/N 2359528-3

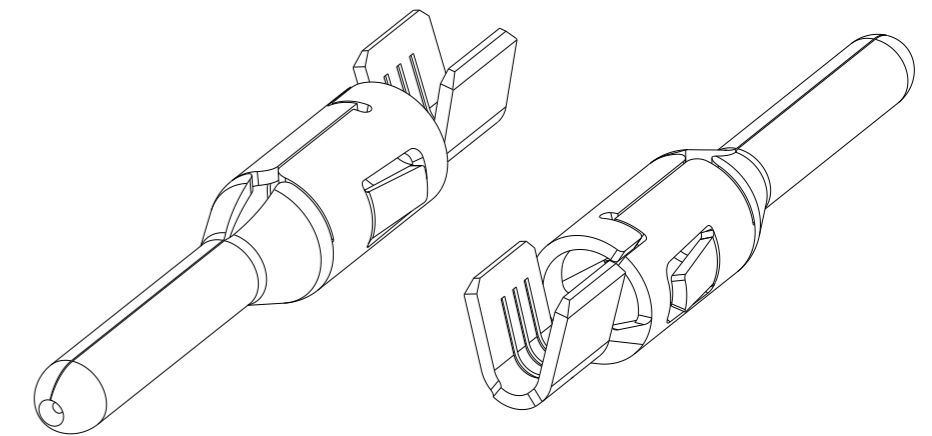


CONTACTS SUPPLIED ON REEL
PITCH BETWEEN TWO CONTACTS: 15.0




NOTES:

- MATERIAL: COPPER ALLOY, TEMPER >520 MPa
FINISH : BRIGHT TIN
- OPERATING RATINGS:
VOLTAGE (max): 600Vac Max
CURRENT (max): 25A ON 4.0mm² & 20A ON 12AWG
TEMPERATURE : -40°C TO 85°C
- FOR ASSEMBLY & CRIMP INSTRUCTIONS, REFER APPLICATION SPECIFICATION 114-133123
- PACKAGING: CONTACTS ON REEL



CRIMP PIN CONTACT	18 AWG	2359528-3
	4.0 (12 AWG)	2359528-2
	1.5-2.5 (16-14 AWG)	2359528-1
DESCRIPTION	WIRE SIZE mm ² (AWG)	PART NUMBER

THIS DRAWING IS A CONTROLLED DOCUMENT.		DWN 20AUG2020 SUBHASH.M	 TE Connectivity	
DIMENSIONS: mm		CHK 03SEP2020 M. ZUCCA		
TOLERANCES UNLESS OTHERWISE SPECIFIED:		APVD 26NOV2020 PETER.OTT	NAME NECTOR T, CRIMP PIN CONTACT	
0 PLC ±0.2		PRODUCT SPEC	108-133123	
1 PLC ±0.1		APPLICATION SPEC	114-133123	
2 PLC ±0.05		WEIGHT	-	
3 PLC ±		CUSTOMER DRAWING	SCALE 4:1	
4 PLC ±		FINISH	SEE NOTES	
ANGLES ±°		SIZE	A3	
MATERIAL SEE NOTES		CAGE CODE	00779	
FINISH SEE NOTES		DRAWING NO	C-2359528	
		RESTRICTED TO	-	
		SHEET	1 OF 1	
		REV	A4	