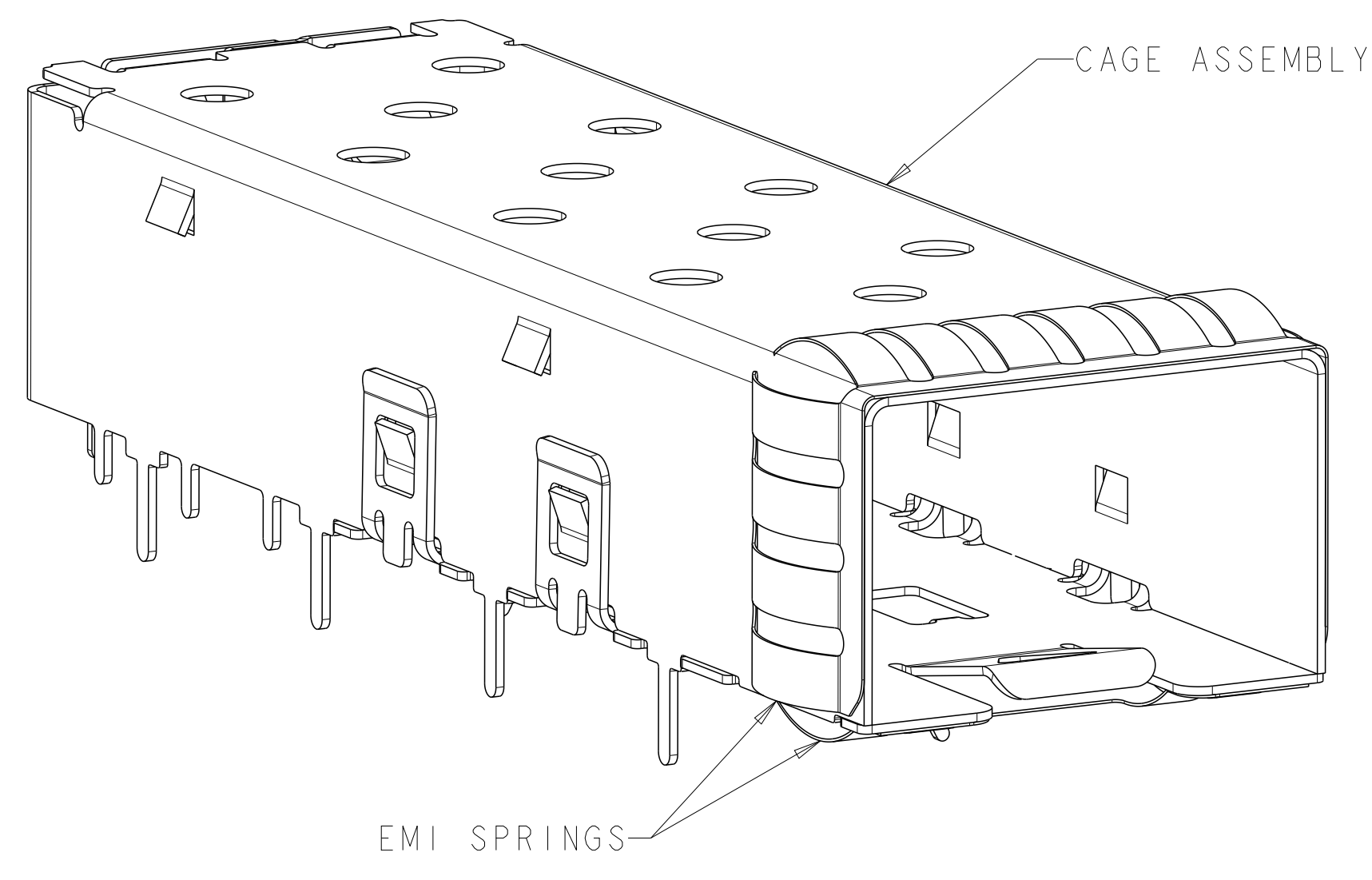


LOC		DIST		REVISIONS			
GP	00	P	LTN	DESCRIPTION	DATE	DWN	APVD
		D3		REVISED PER ECO-15-000306	08JAN2015	PP	SH
		D4		REVISED PER ECO-15-013454	16SEP2015	pp	SH
		E		REVISED PER ECO-19-005806	12JUN2019	IT	SH
		E1		REVISED PER ECN-22-142034	04MAR2022	SZ	SZ



1 MATERIAL:
 CAGE - NICKEL SILVER ALLOY 0.25 THK.
 EMI SPRINGS - COPPER ALLOY

2 FINISH:
 2110304-5 CAGE - 1.27um MIN TIN OF SOLDER TAIL
 EMI SPRINGS - 0.8um MIN MATTE TIN OVER 0.8um MIN NICKEL
 NON-PLATED EDGES PERMISSIBLE.

3. MATES WITH SFP MSA COMPLIANT TRANSCEIVERS.

4 PADS AND VIAS CHASSIS GROUND.

5 DATUM AND BASIC DIMENSION ESTABLISHED BY CUSTOMER.

6. NOTE DELETED

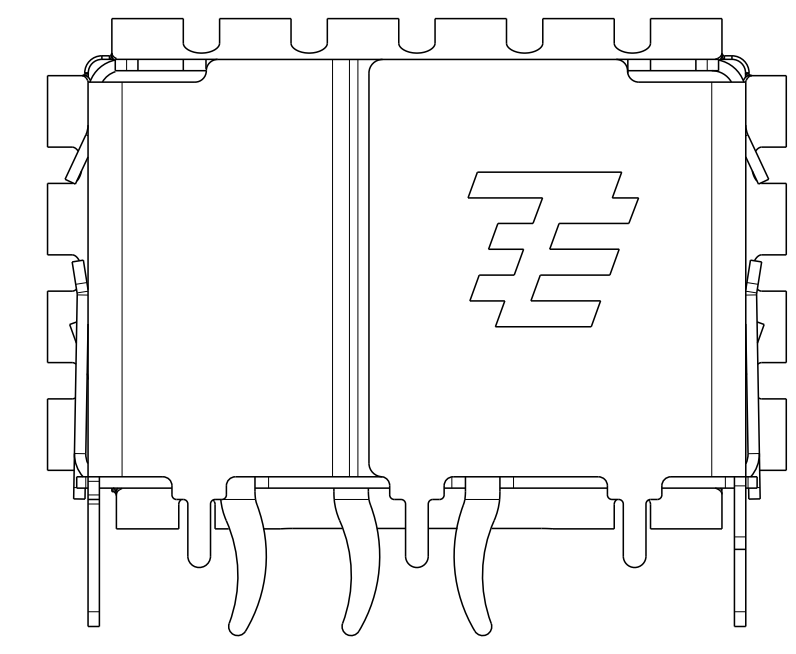
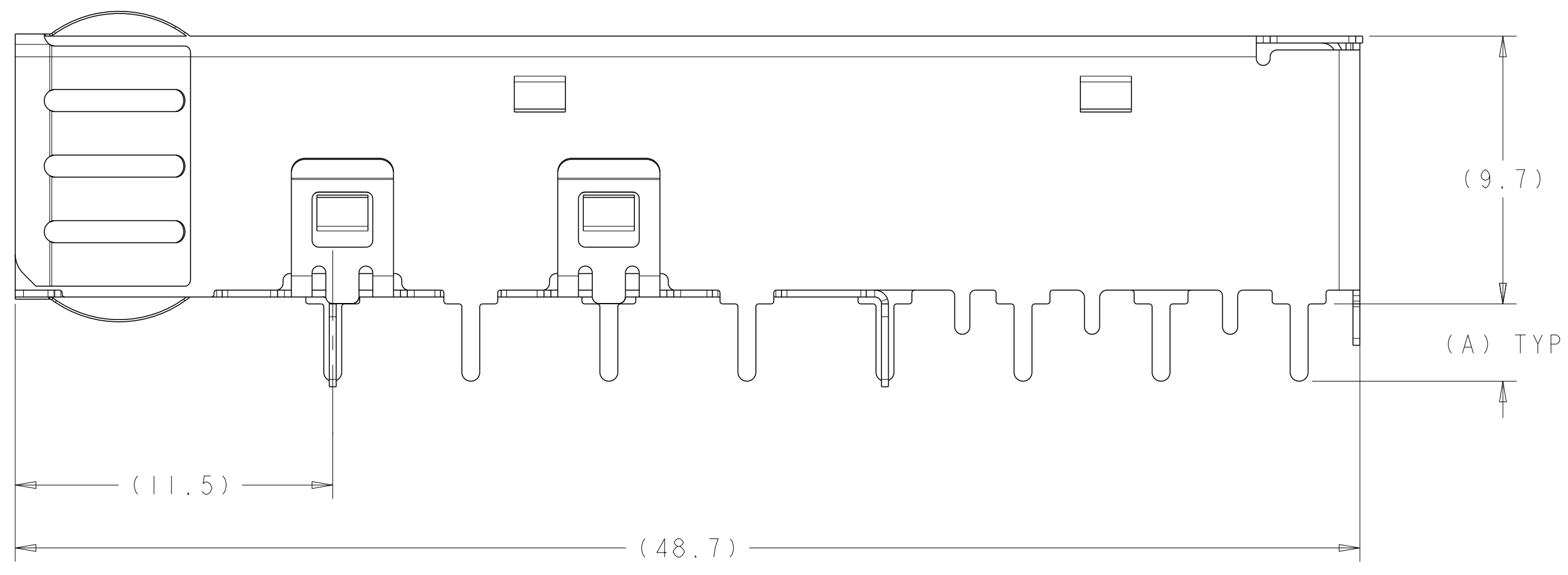
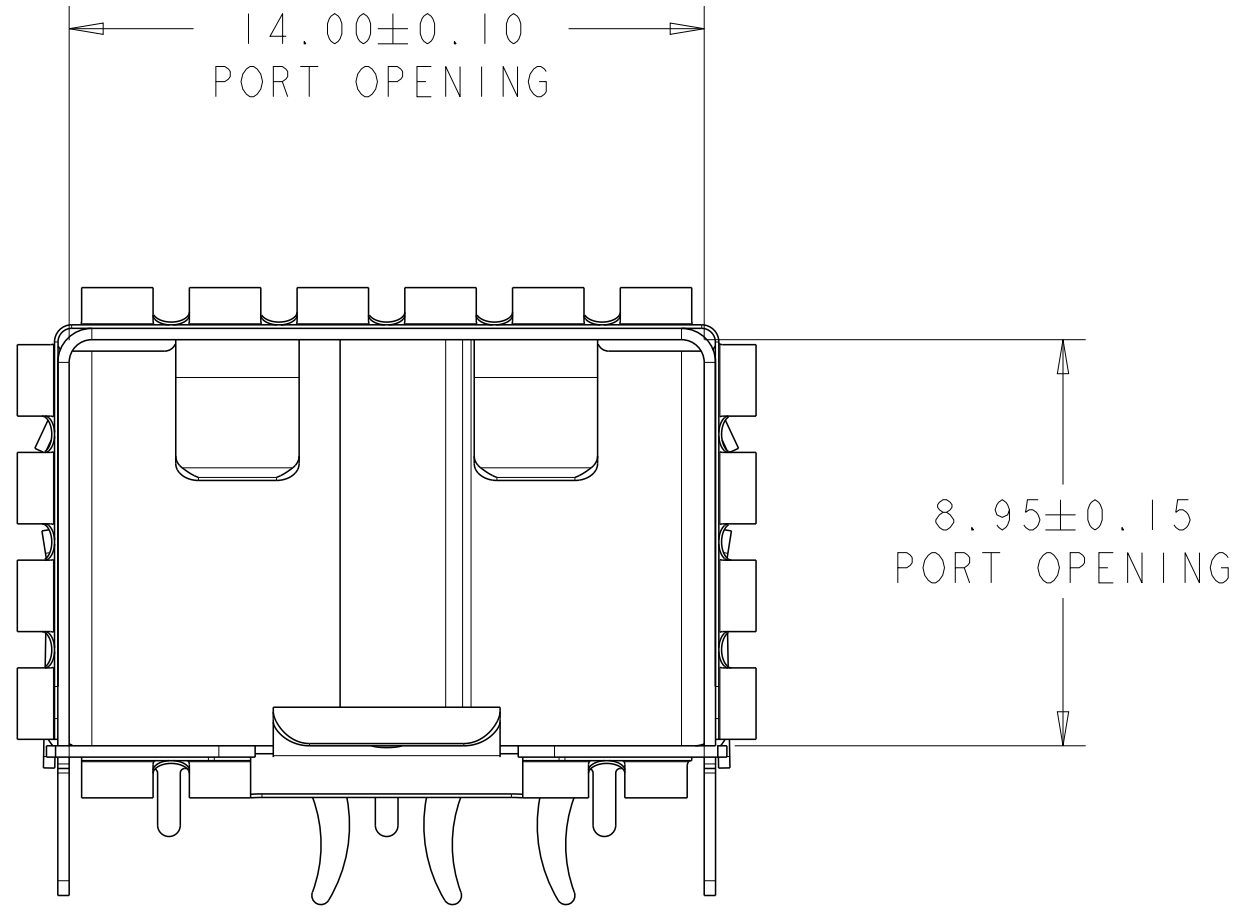
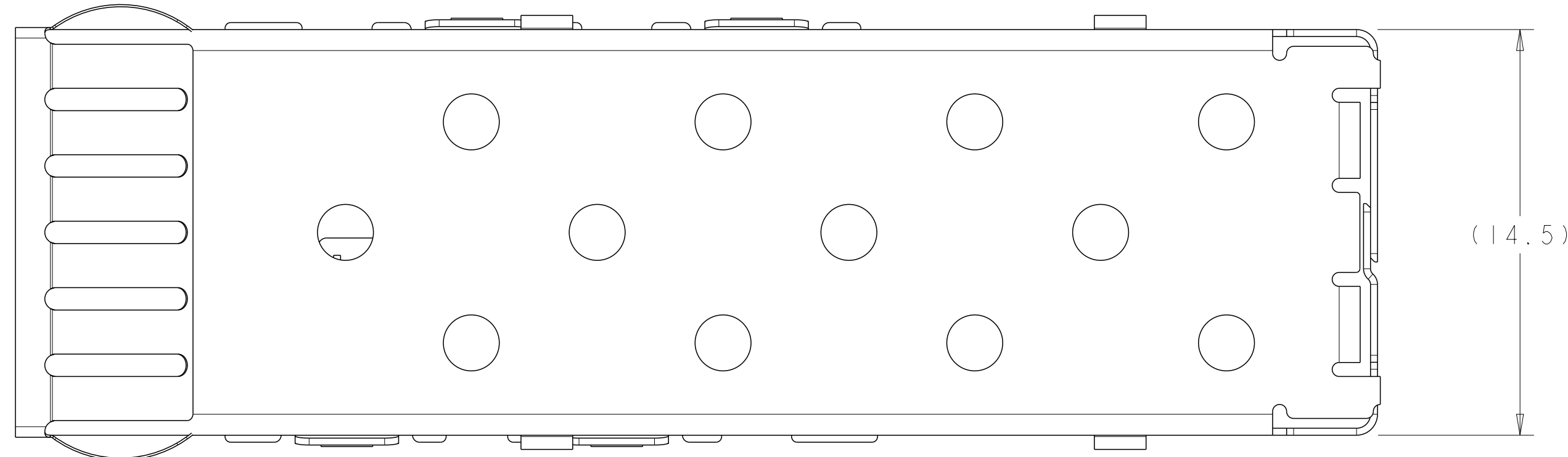
7. NOTE DELETED

8 PACKAGE TYPE IS TAPE AND REEL.

9 FOR ESD PROTECTION TAPE AND REEL PACKAGE ONLY.
 MATERIALS(COVER TAPE,EMBOSS TAPE,REEL,INNER LABEL ON REEL) USED WITH AN EPA AREA
 MUST PRIMARILY BE ELECTROSTATIC CONDUCTIVE OR ELECTROSTATIC DISSIPATIVE.
 NO MATERIAL SHOULD BE CHARGED UP TO MORE THAN 100 VOLTS.

10 ALL SOLDER PIN SHOULD BE TIN DIPPED.

11 PACKAGE TYPE IS TAPE AND REEL WITH POCKET PITCH 24MM



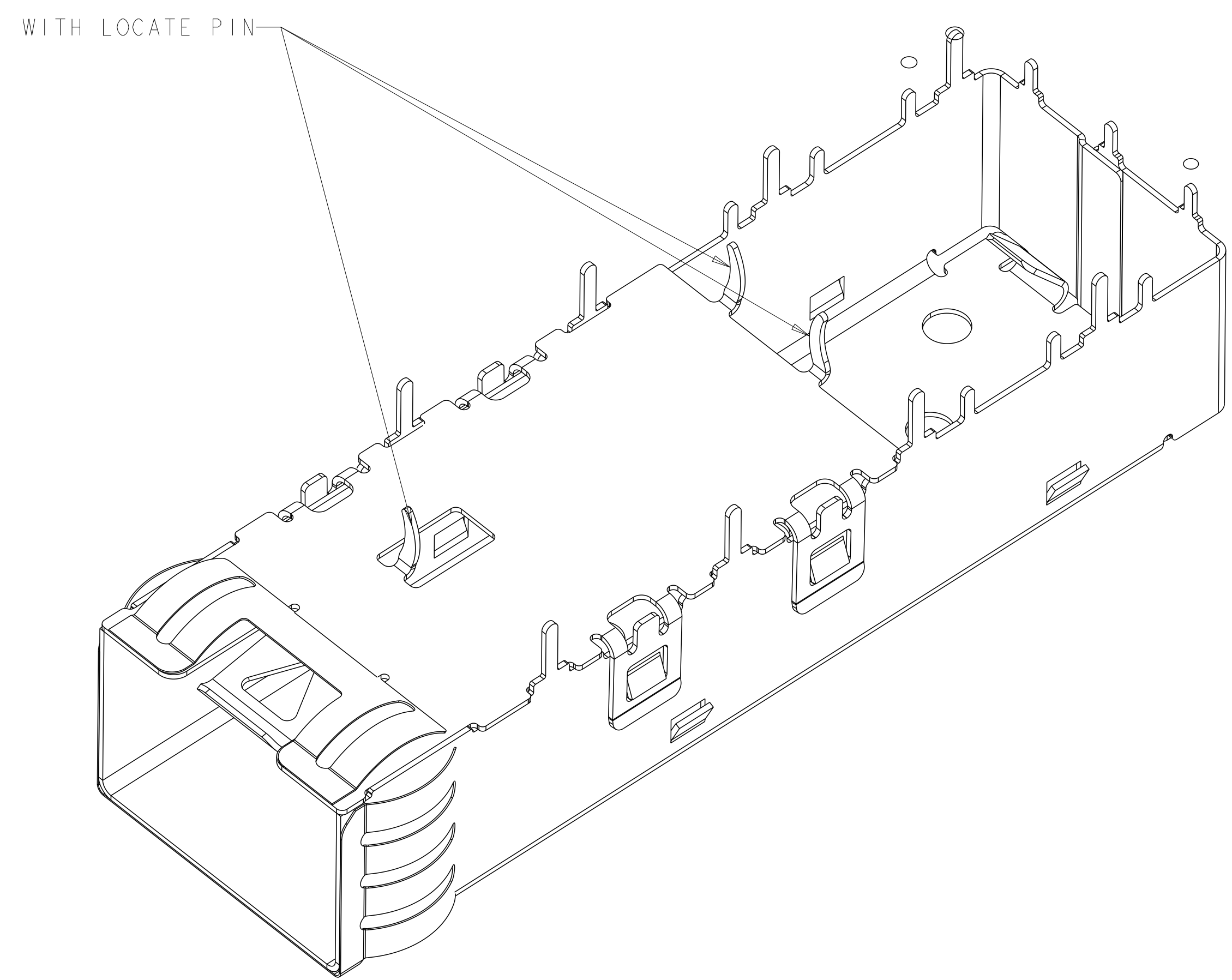
8	2.00	2110304-8
OBSOLETE	1.20	2110304-7
OBSOLETE	2.80	2110304-6
8	2.80	2110304-5
	2.00	2110304-3
	2.80	2110304-1
	DIM A	PART NUMBER

THIS DRAWING IS A CONTROLLED DOCUMENT.

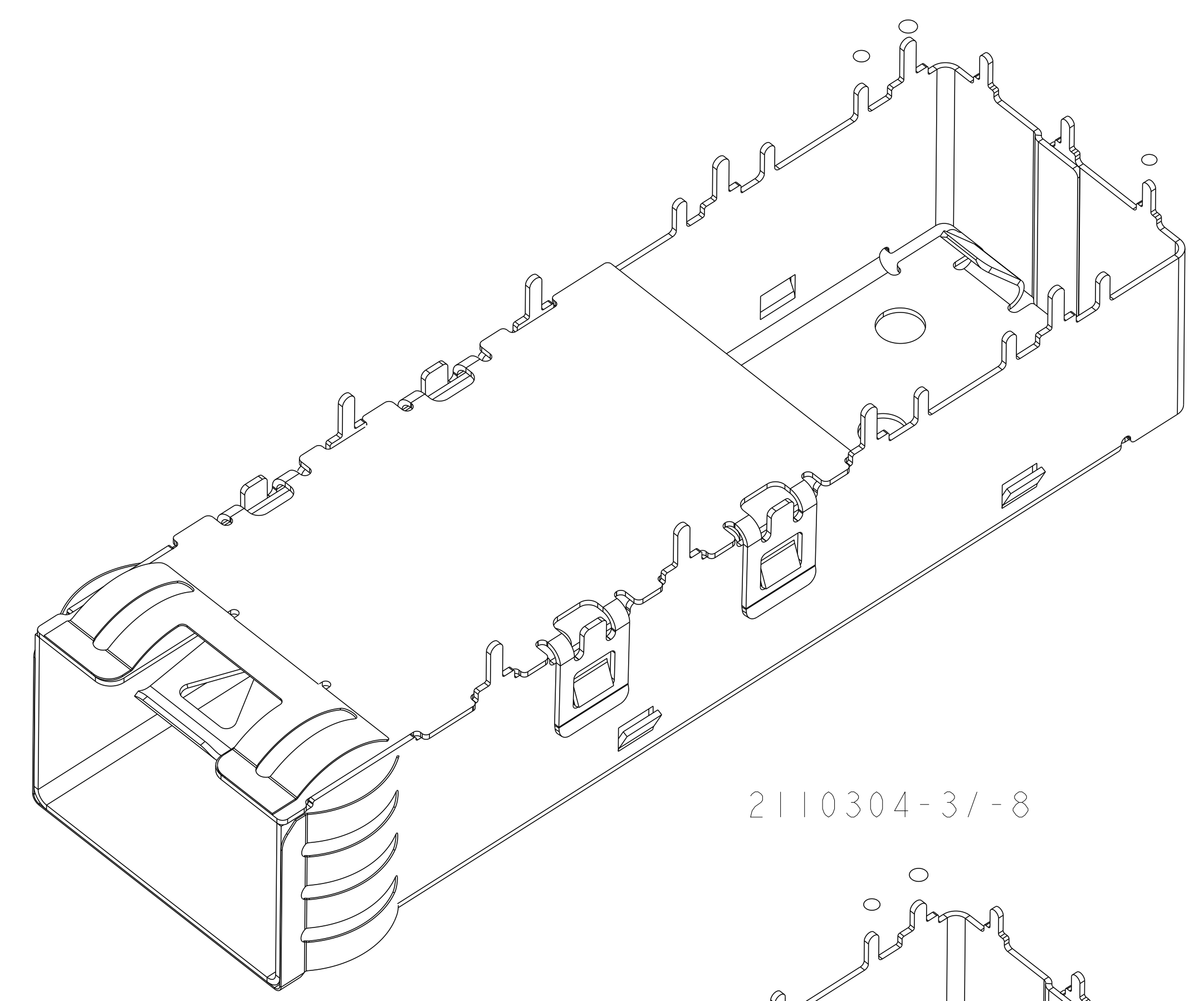
DIMENSIONS:	TOLERANCES UNLESS OTHERWISE SPECIFIED:	DWN C. ROHLER 13FEB2009	CHK M. SCHMITT 13FEB2009	APVD B. WERTZ 13FEB2009
mm	0 PLC ±0.1 1 PLC ±0.5 2 PLC ±0.5 3 PLC ±0.13 4 PLC ±0.13	NAME SFP+ IXI CAGE ASSEMBLY, SOLDER TAIL, EMI SPRINGS		
MATERIAL		APPLICATION SPEC 114-13120		SIZE CAGE CODE DRAWING NO. A100779C=2110304
FINISH		WEIGHT		RESTRICTED TO
		Customer Drawing		SCALE 6:1 SHEET 1 OF 4 REV E1

4805 (3/11)

LOC		DIST		REVISIONS				
P	LYR	DATE	DMN	APVD	DESCRIPTION	DATE	DMN	APVD
-	-	-	-	-	SEE SHEET 1	-	-	-

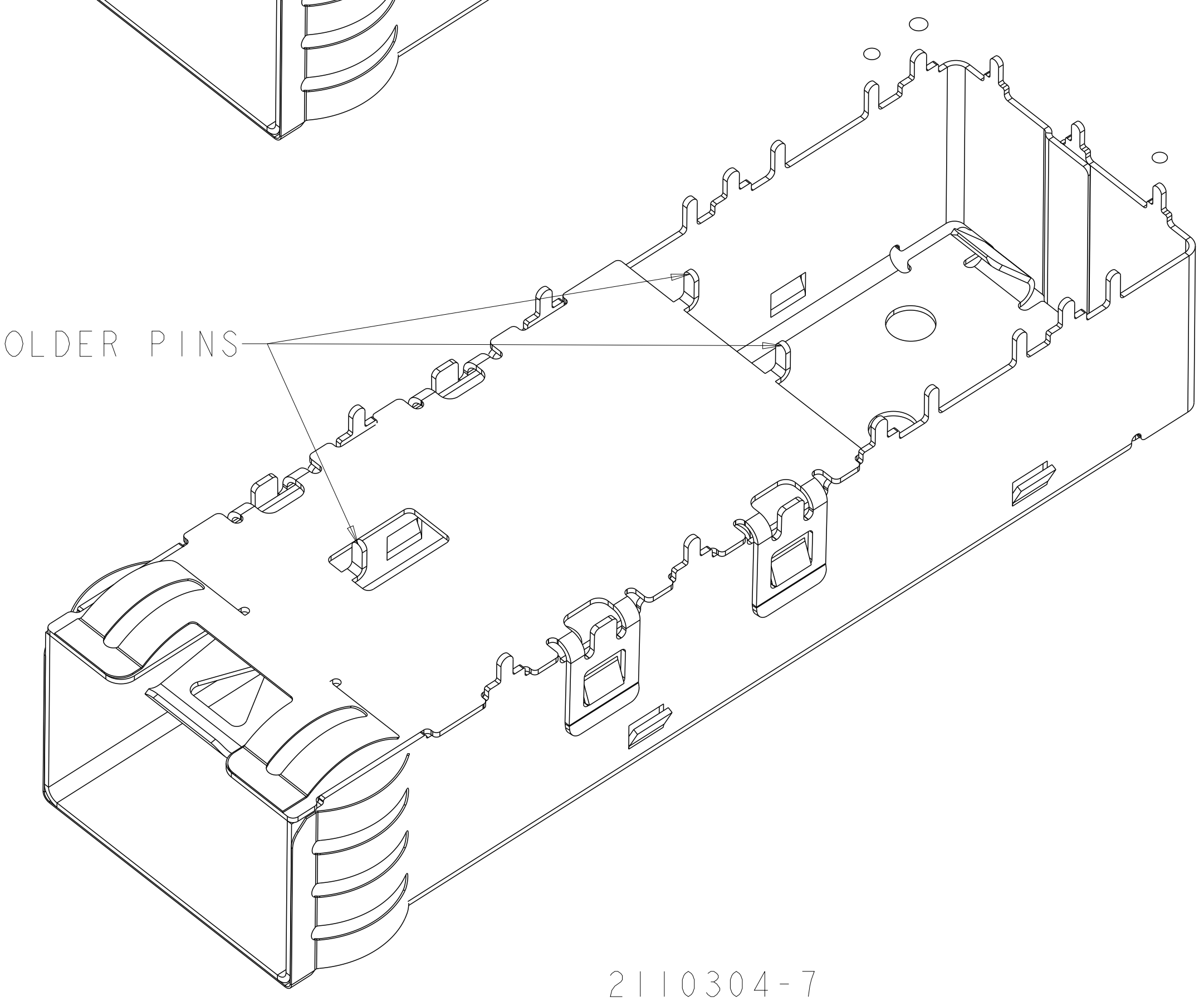


2110304-1/-5/-6

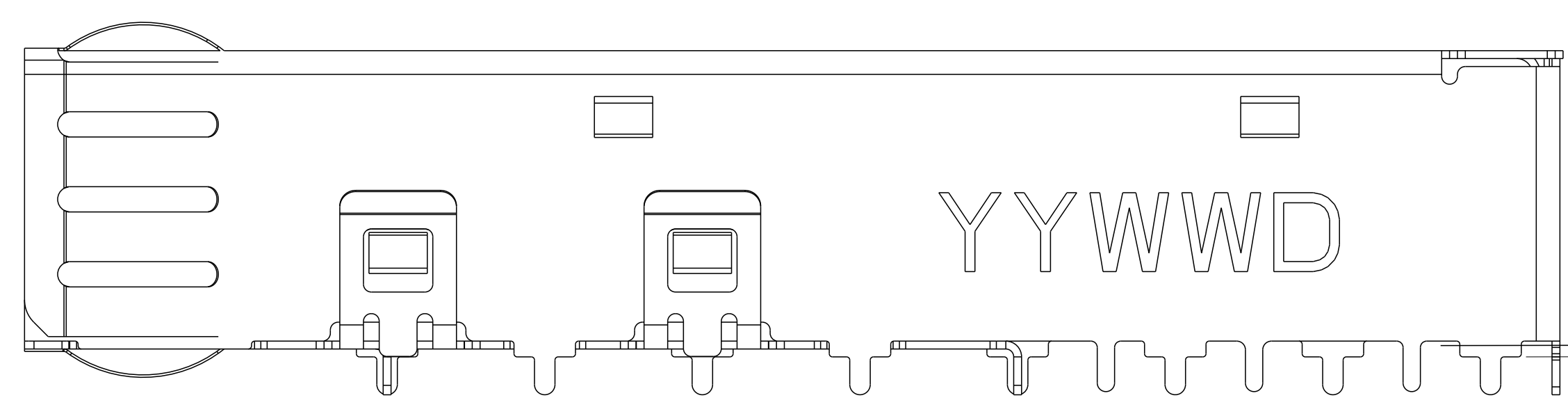


2110304-3/-8

WITH SOLDER PINS




2110304-7

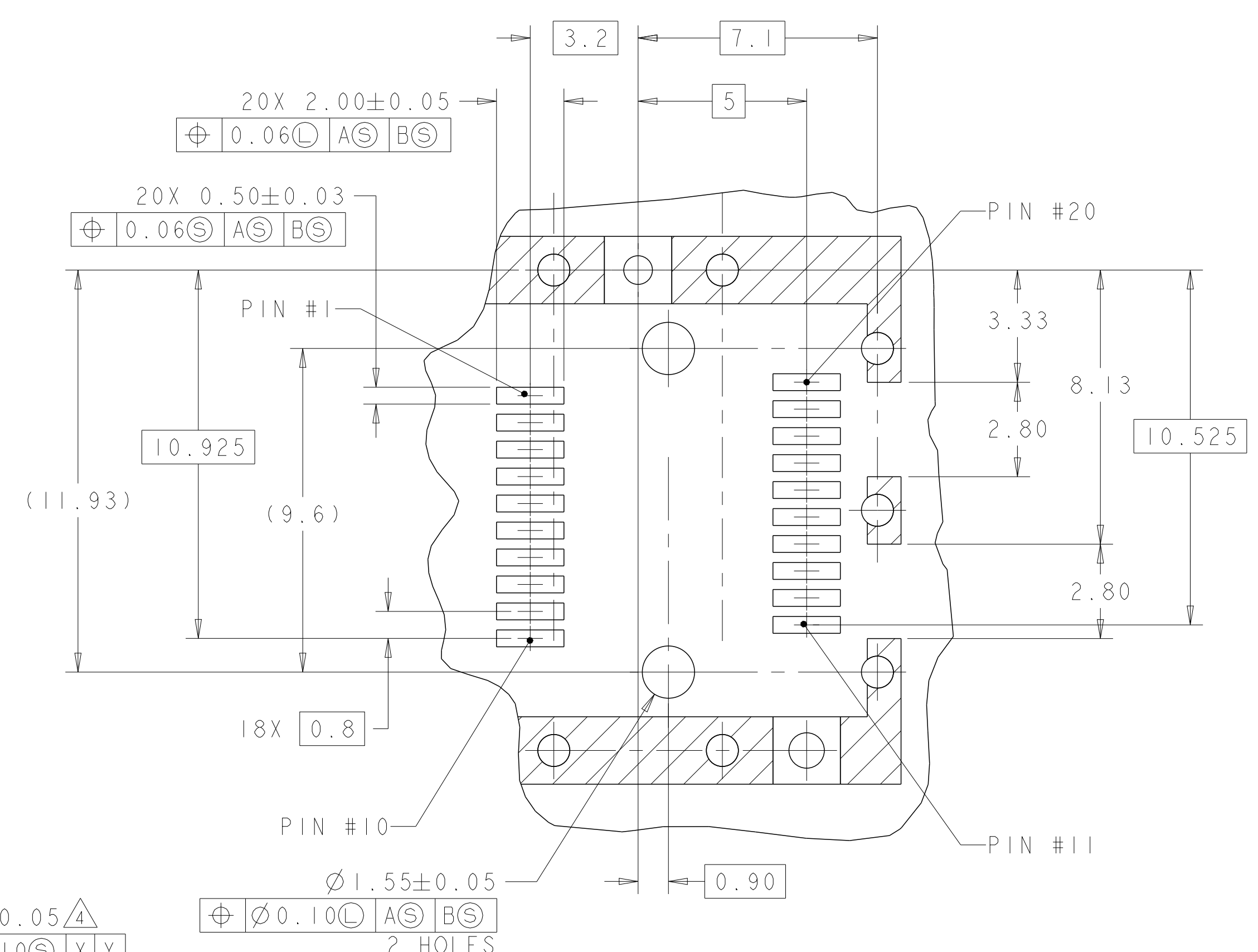
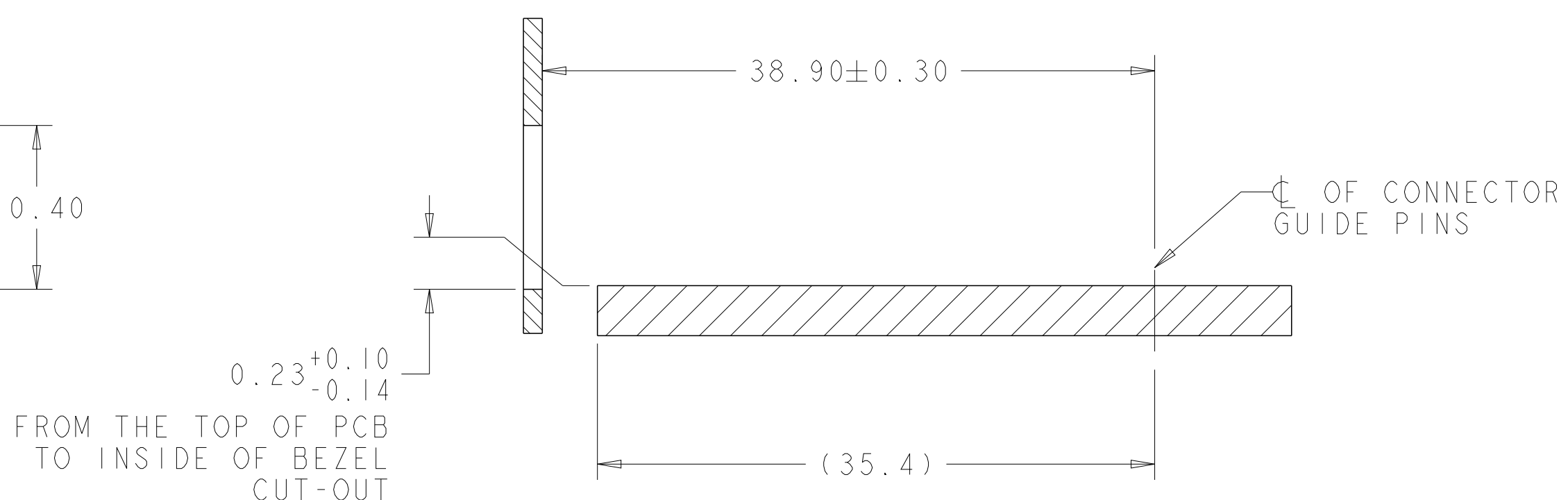
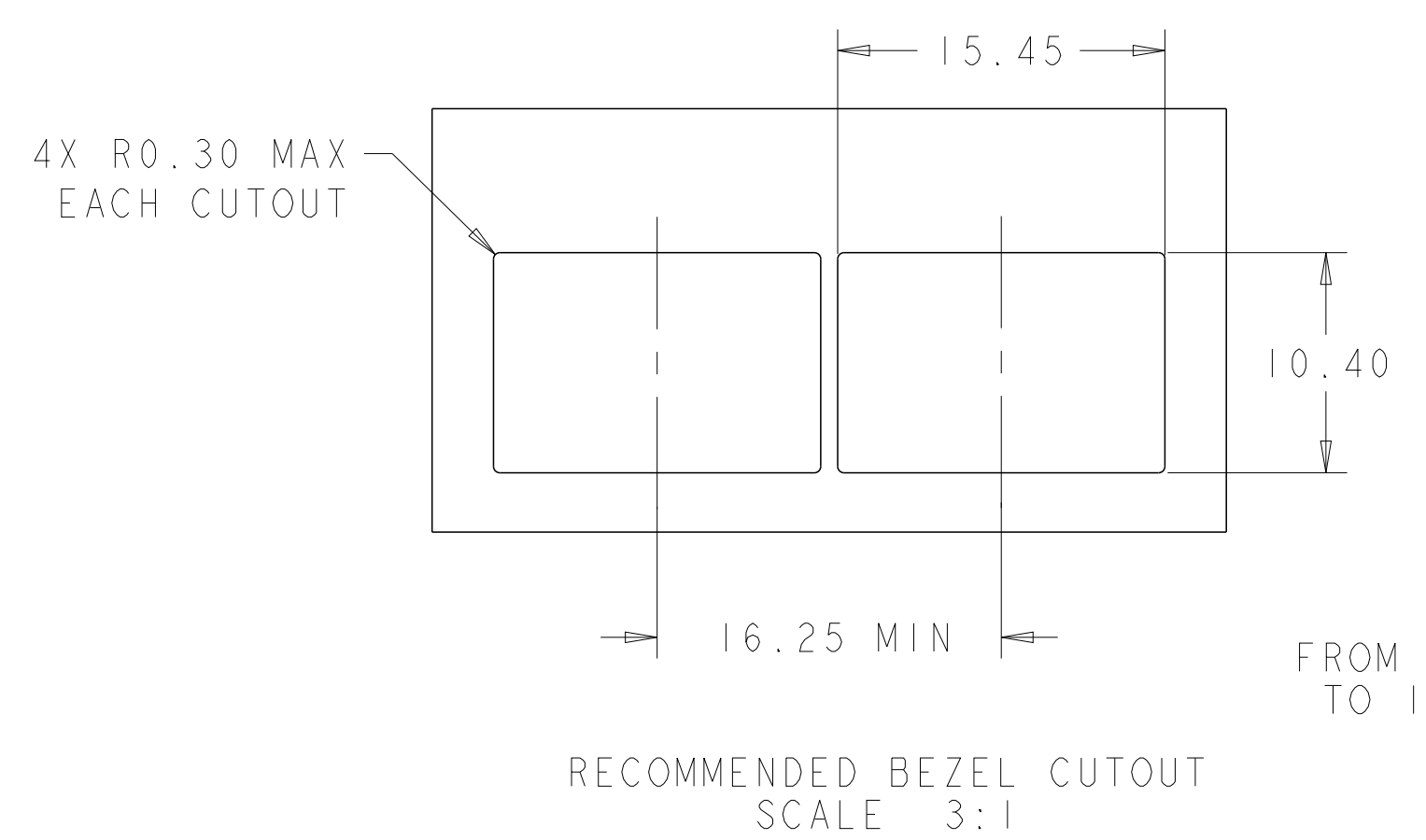


0.3MAX
TIN DIPPED ON
STAND OFF

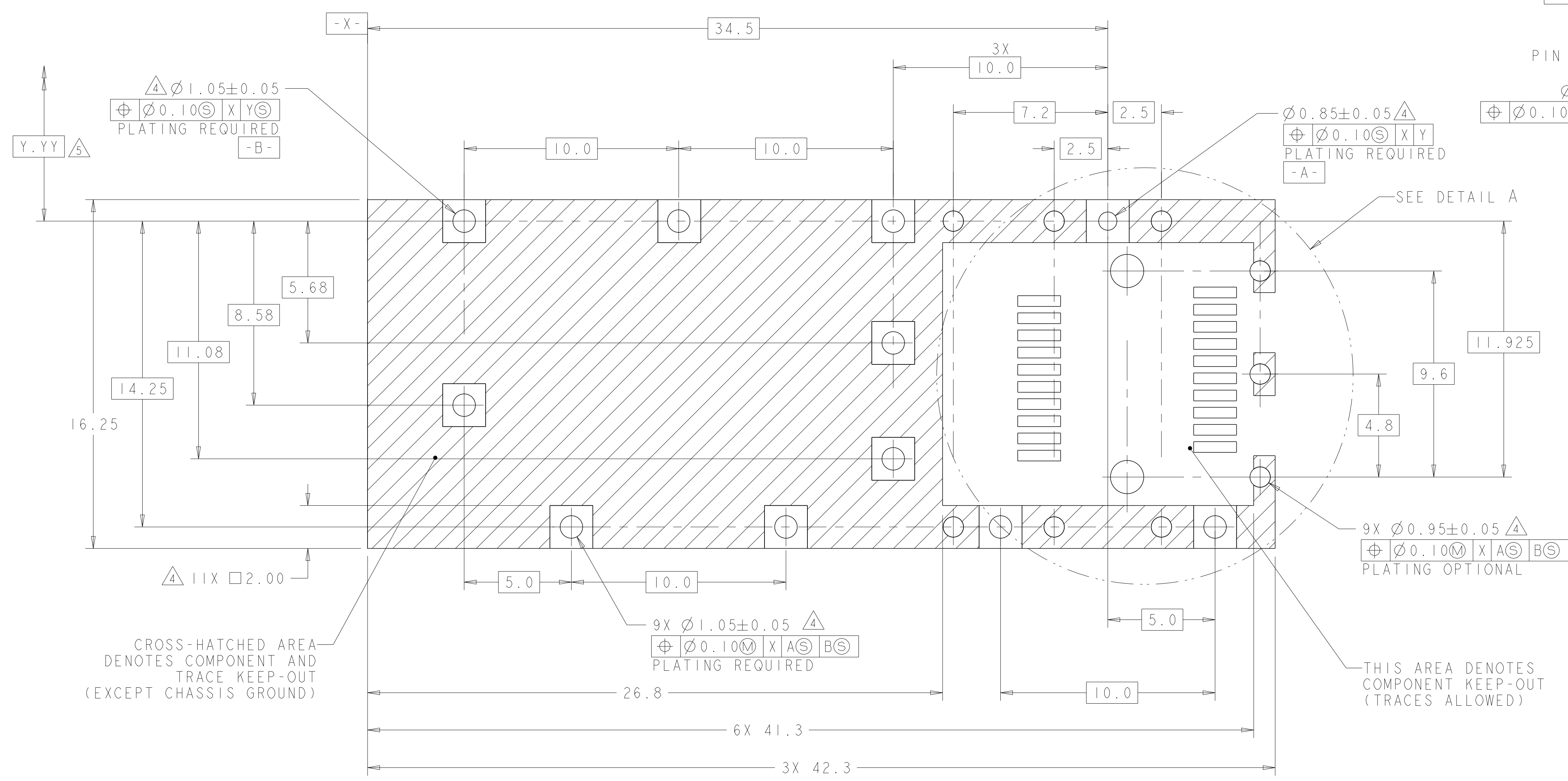
2110304-7
DISTANCE FOR TIN DIPPED ON STAND OFF

THIS DRAWING IS A CONTROLLED DOCUMENT.		DMN C. ROHLER	13FEB2009	 TE Connectivity
DIMENSIONS:		CHK M. SCHMITT	13FEB2009	
mm	TOLERANCES UNLESS OTHERWISE SPECIFIED:	APVD B. WERTZ	13FEB2009	NAME SFP+ IXI CAGE ASSEMBLY, SOLDER TAIL, EMI SPRINGS
0 PLC	±0.1	PRODUCT SPEC		APPLICATION SPEC
1 PLC	±0.5	114-13120		SIZE A100779C=2110304
2 PLC	±0.5	WEIGHT		RESTRICTED TO
3 PLC	±0.13	Customer Drawing		SCALE 6:1 SHEET 2 OF 4 REV E1
4 PLC	±0.13			
ANGLES	±0.13			
MATERIAL	FINISH			

LOC	DIST	REV	DESCRIPTION	DATE	OWN	APVD
GP	00		SEE SHEET 1			



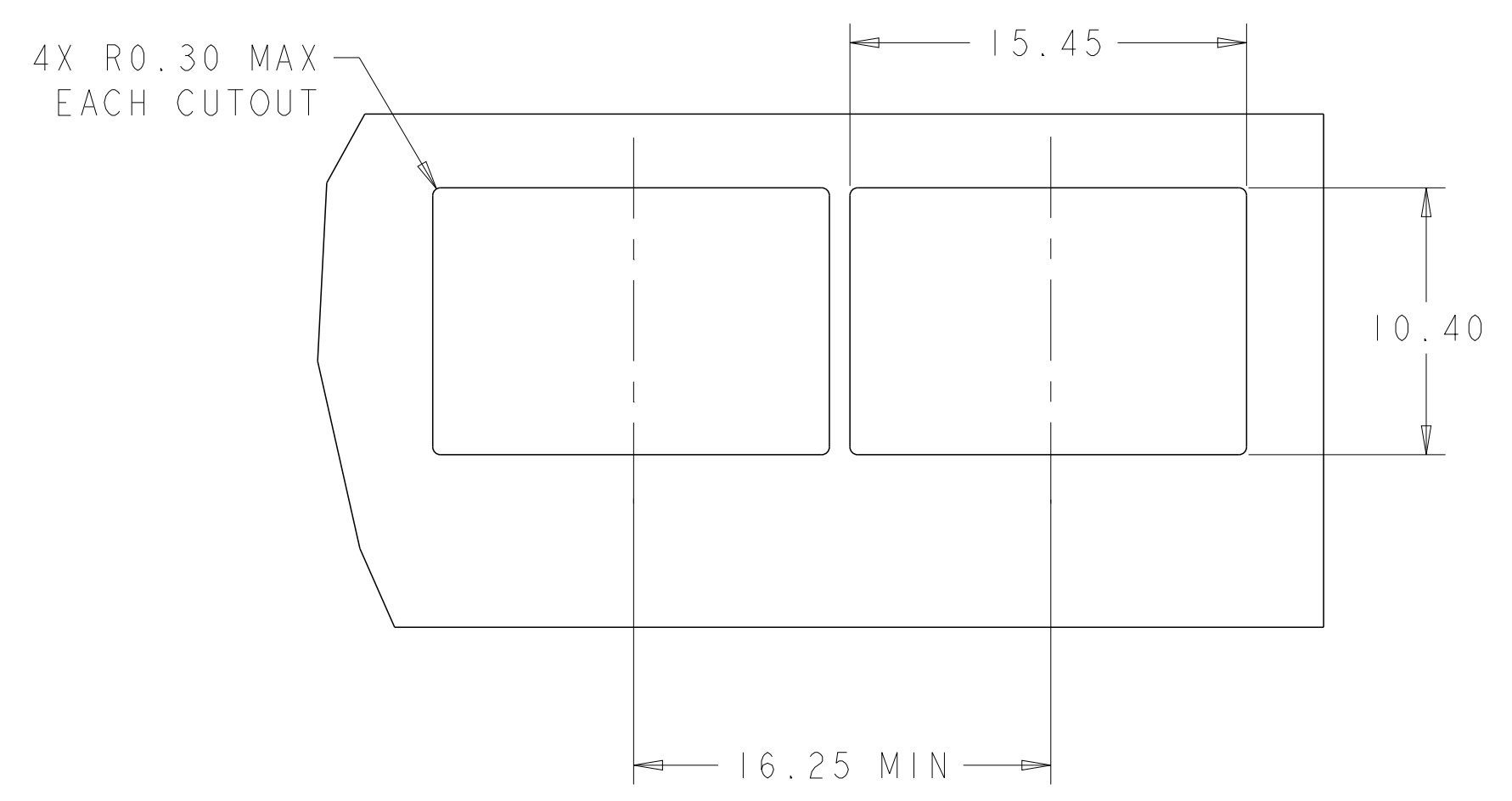
DETAIL A SCALE 8:1



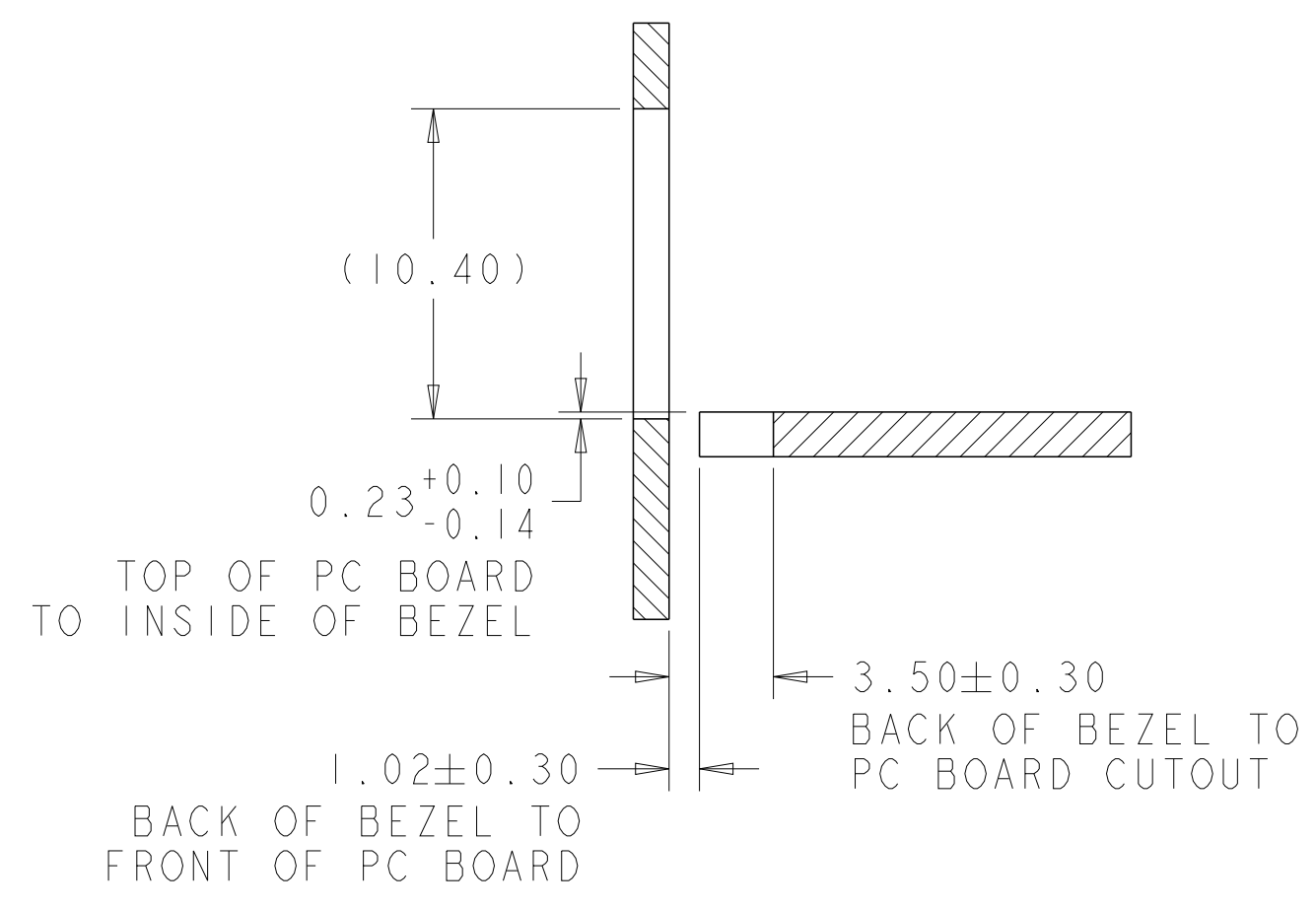
2110304-1/-5/-6/-7
 RECOMMENDED PCB LAYOUT
 SCALE 8:1

THIS DRAWING IS A CONTROLLED DOCUMENT.		OWN C. ROHLER	13FEB2009	TE Connectivity
DIMENSIONS:		CHK M. SCHMITT	13FEB2009	
mm	TOLERANCES UNLESS OTHERWISE SPECIFIED:	APVD B. WERTZ	13FEB2009	NAME SFP+ IXI CAGE ASSEMBLY, SOLDER TAIL, EMI SPRINGS
	0 PLC ±0.1	PRODUCT SPEC		APPLICATION SPEC
	1 PLC ±0.5	114-13120		SIZE CAGE CODE DRAWING NO
	2 PLC ±0.5	WEIGHT		A100779C=2110304
	3 PLC ±0.13	Customer Drawing		RESTRICTED TO
	4 PLC ±0.13	SCALE 6:1		SHEET 3 OF 4
MATERIAL	FINISH			REV E1

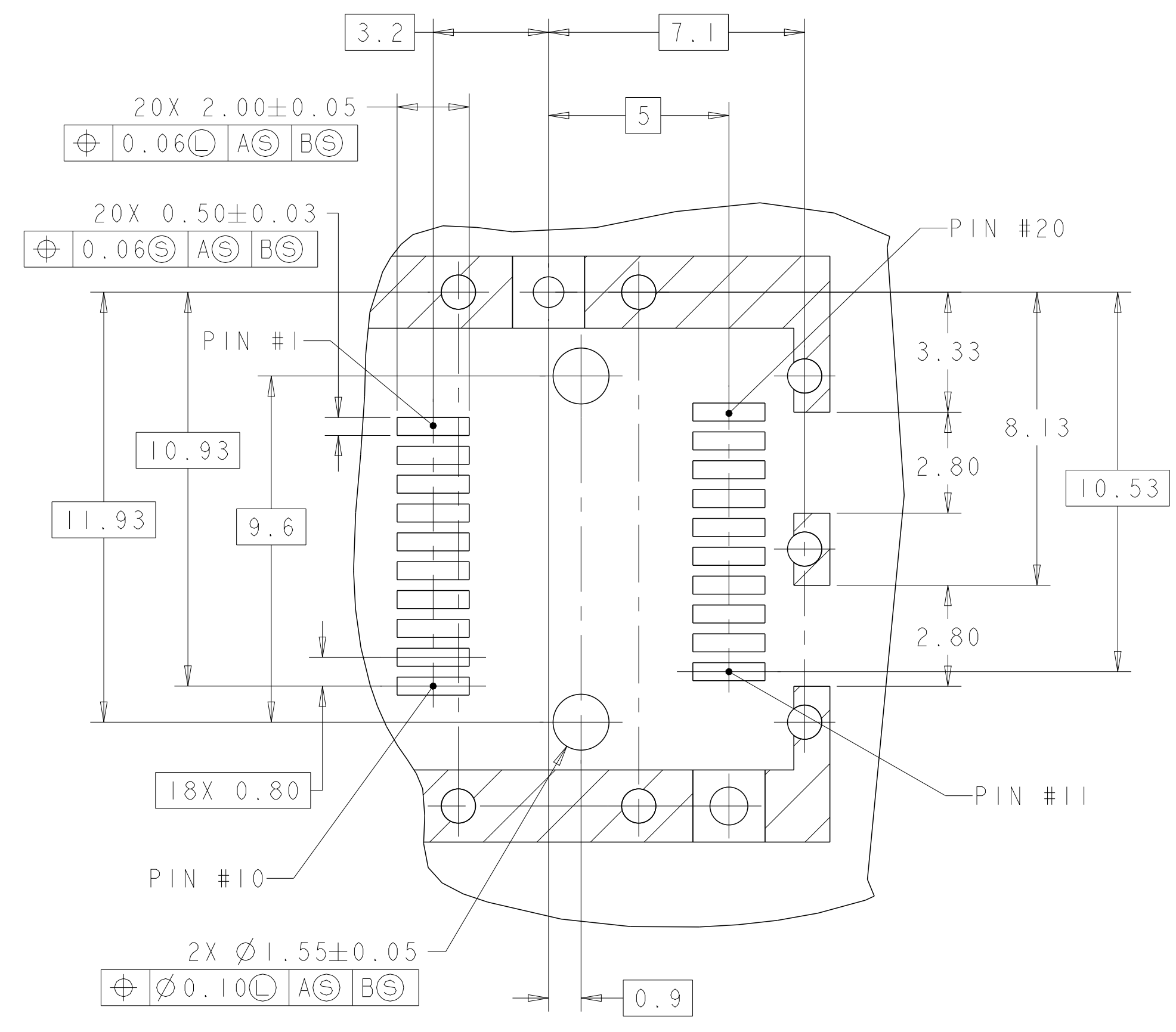
LOC		DIST		REVISIONS			
GP	00	P	LTN	DESCRIPTION	DATE	OWN	APVD
				SEE SHEET 1			



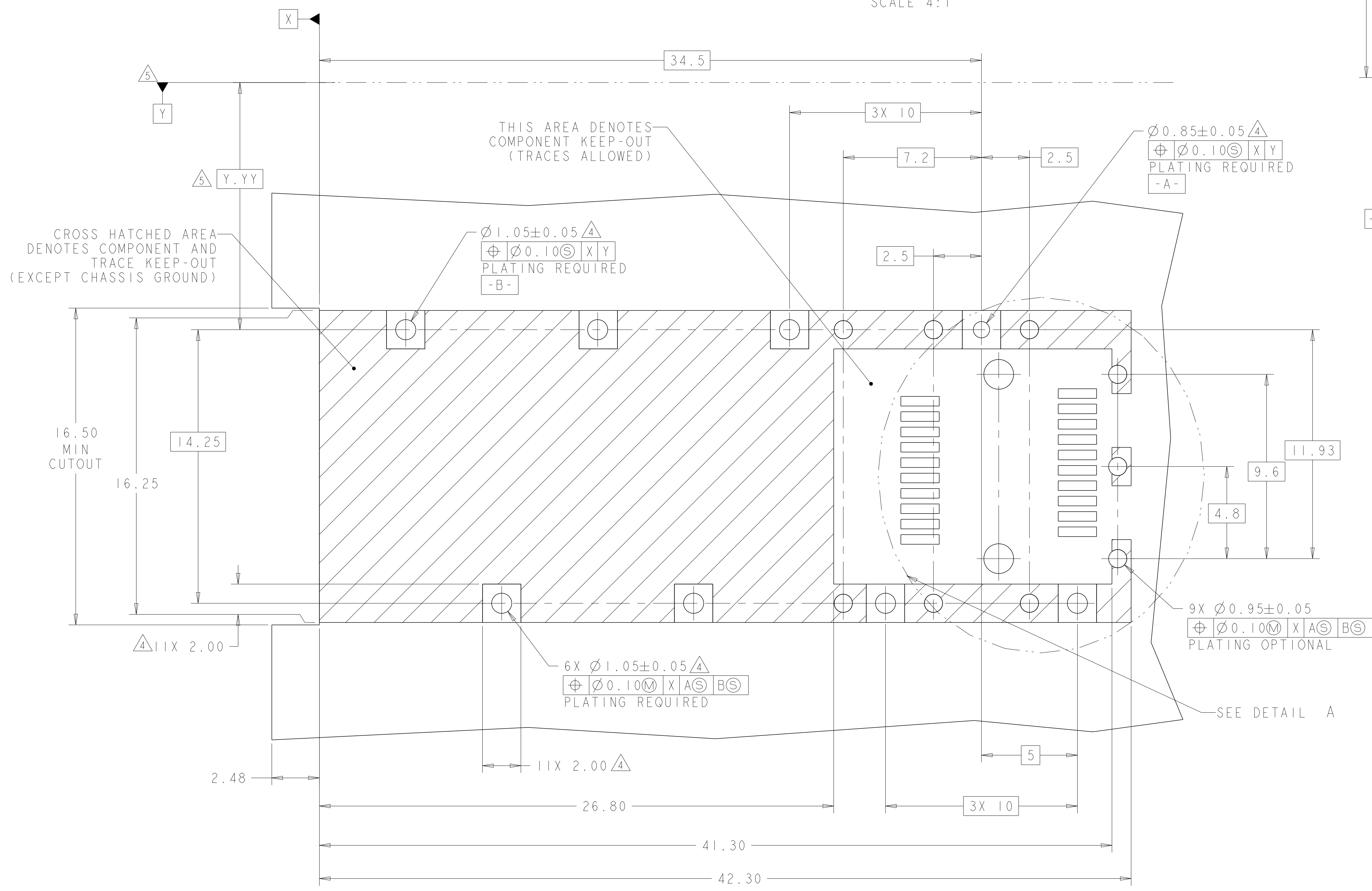
RECOMMENDED BEZEL CUTOUT
SCALE 4:1



RECOMMENDED BEZEL AND
PC BOARD ORIENTATION
SCALE 4:1



DETAIL A
SCALE 8:1



2110304-3/-8
RECOMMENDED PCB LAYOUT
SCALE 8:1

THIS DRAWING IS A CONTROLLED DOCUMENT.		OWN C. ROHLER 13FEB2009	 TE Connectivity														
DIMENSIONS: mm		CHK M. SCHMITT 13FEB2009															
TOLERANCES UNLESS OTHERWISE SPECIFIED:		APVD B. WERTZ 13FEB2009	NAME SFP+ IXI CAGE ASSEMBLY, SOLDER TAIL, EMI SPRINGS														
<table border="1"> <tr><td>0 PLC</td><td>±0.1</td></tr> <tr><td>1 PLC</td><td>±0.5</td></tr> <tr><td>2 PLC</td><td>±0.5</td></tr> <tr><td>3 PLC</td><td>±0.13</td></tr> <tr><td>4 PLC</td><td>±0.13</td></tr> <tr><td>ANGLES</td><td>±0.13</td></tr> <tr><td>FINISH</td><td>-</td></tr> </table>		0 PLC	±0.1	1 PLC	±0.5	2 PLC	±0.5	3 PLC	±0.13	4 PLC	±0.13	ANGLES	±0.13	FINISH	-	APPLICATION SPEC 114-13120	RESTRICTED TO
0 PLC	±0.1																
1 PLC	±0.5																
2 PLC	±0.5																
3 PLC	±0.13																
4 PLC	±0.13																
ANGLES	±0.13																
FINISH	-																
MATERIAL		WEIGHT	SIZE A100779C=2110304														
		Customer Drawing	SCALE 1:1 SHEET 4 OF 4 REV E1														