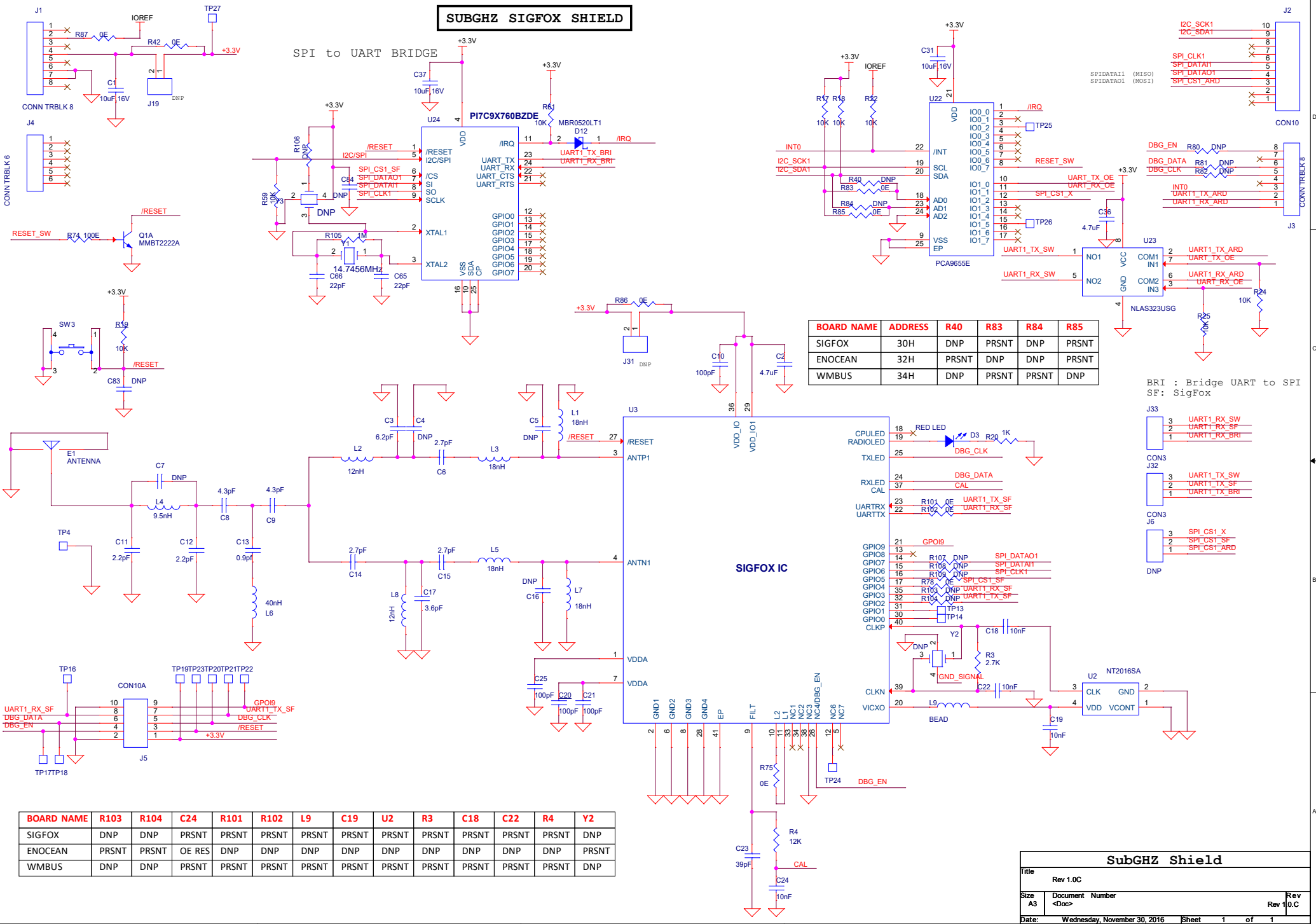


SUBGHZ SIGFOX SHIELD

SPI to UART BRIDGE



BOARD NAME	ADDRESS	R40	R83	R84	R85
SIGFOX	30H	DNP	PRSN	DNP	PRSN
ENOCEAN	32H	PRSN	DNP	DNP	PRSN
WMBUS	34H	DNP	PRSN	PRSN	DNP

BRI : Bridge UART to SPI
SF: SigFox

BOARD NAME	R103	R104	C24	R101	R102	L9	C19	U2	R3	C18	C22	R4	Y2
SIGFOX	DNP	DNP	PRSN	PRSN	PRSN	PRSN	PRSN	PRSN	PRSN	PRSN	PRSN	PRSN	DNP
ENOCEAN	PRSN	PRSN	OE RES	DNP	DNP	DNP	DNP	DNP	DNP	DNP	DNP	DNP	PRSN
WMBUS	DNP	DNP	PRSN	PRSN	PRSN	PRSN	PRSN	PRSN	PRSN	PRSN	PRSN	PRSN	DNP

SubGHz Shield			
Title	Rev 1.0C		
Size	Document	Number	Rev
A3	<Doc>		1.0C
Date:	Wednesday, November 30, 2016	Sheet	1 of 1