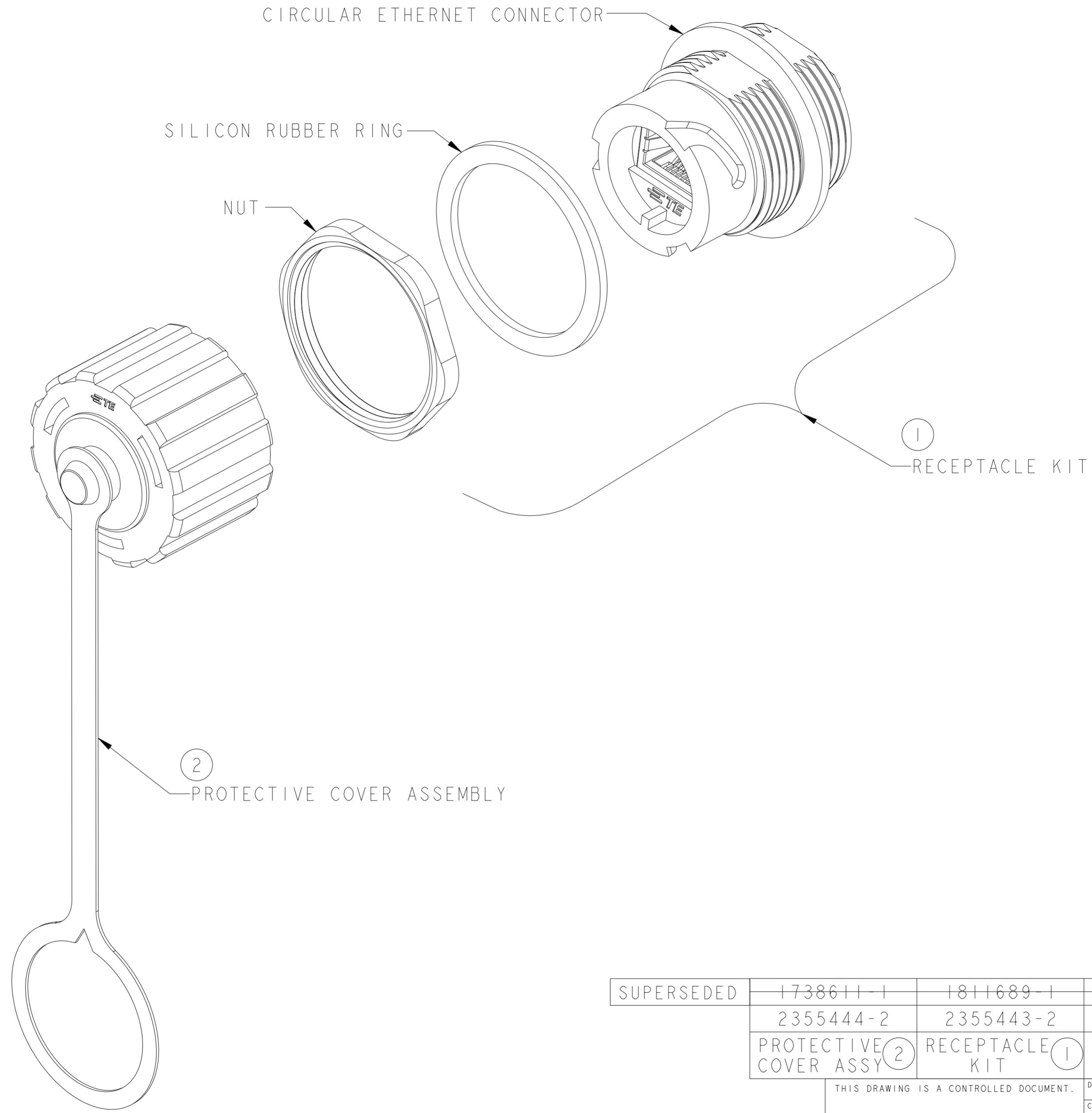


P	LTR	DESCRIPTION	DATE	DWN	APVD
C		REV PER ECO-10-011440	07JUN2010	RG	SM
CI		PN 1986280-3 ADDED ECR-19-012995	23JUL2019	SS	DBJ
D		PN 1986280-3 REMOVED PCN E-20-000345	02DEC2019	SS	JK
EI		DRAWING CHANGE PER PCN-22-161713, PCN-22-161714	09JAN2023	SS	KP



SUPERSEDED	1738611-1	1811689-1	YES	0 TO +60°C	1986280-2
	2355444-2	2355443-2	YES	-40 TO +85°C	1986280-1
	PROTECTIVE COVER ASSY (2)	RECEPTACLE KIT (1)	SHIELDED COUPLER	OPERATING TEMP.	PART NUMBER

THIS DRAWING IS A CONTROLLED DOCUMENT.

DWN	S. WELDON	26SEP2007
CHK	M. STRECKEWALD	26SEP2007
APVD	M. STRECKEWALD	26SEP2007

STE TE Connectivity

NAME: RECEPTACLE KIT, WITH PROTECTIVE COVER, INDUSTRIAL CIRCULAR ETHERNET

SIZE	A2	CAGE CODE	00779	DRAWING NO	C-1986280	RESTRICTED TO
CUSTOMER DRAWING	SCALE	2:1	SHEET	1	OF	1
						REV E1

A