

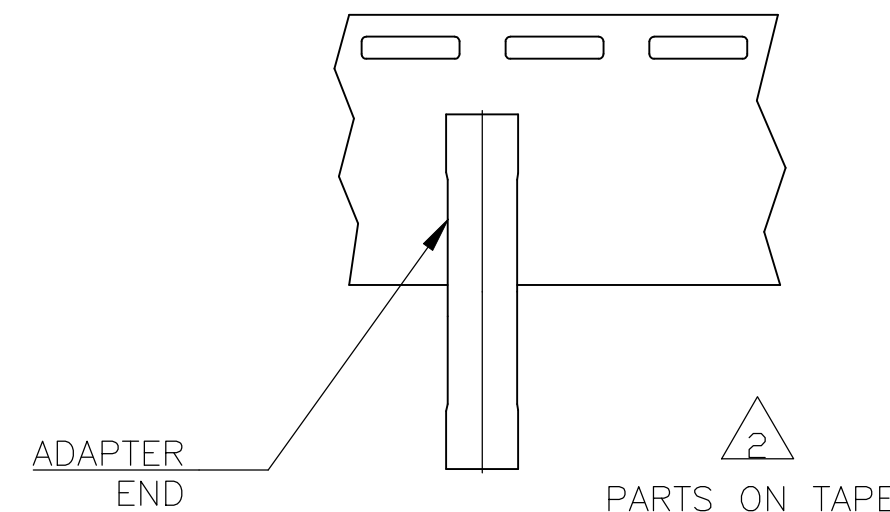
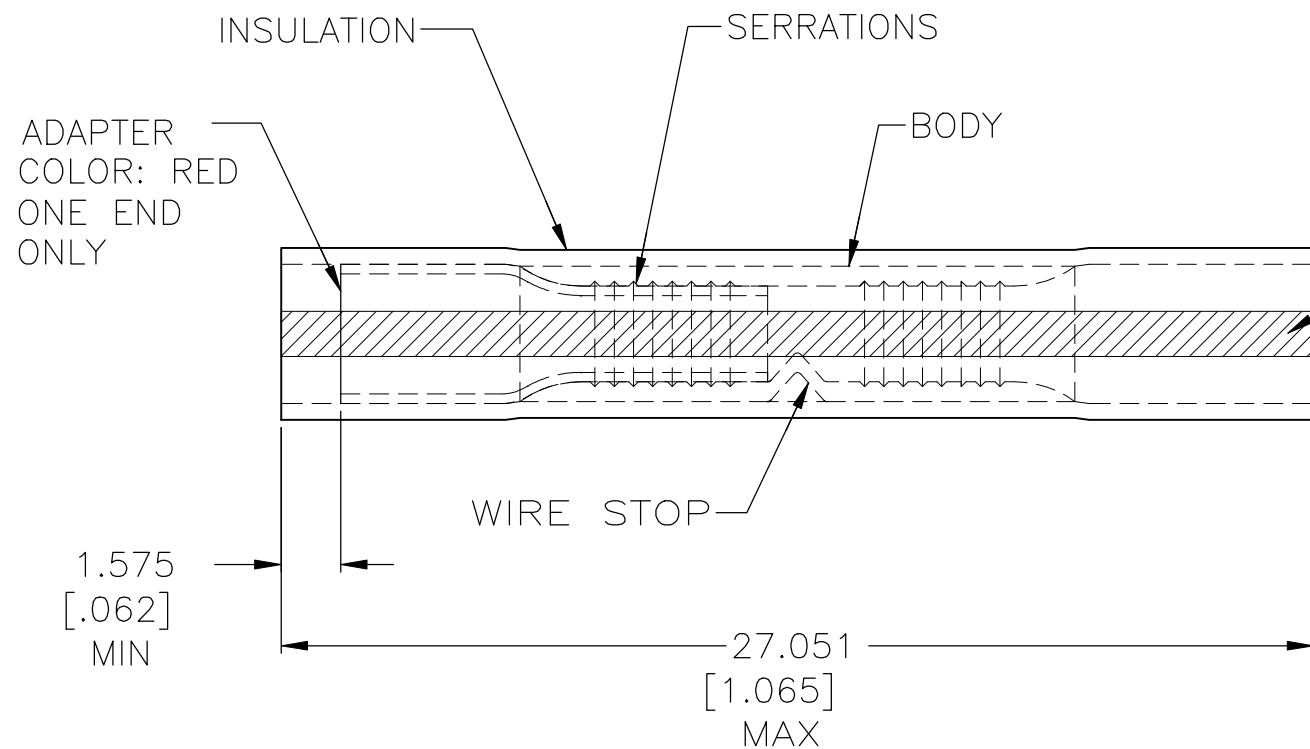
REVISIONS

P	LTR	DESCRIPTION	DATE	DWN	APVD
	B	REV PER ECR 10-003056	15FEB10	JR	TM
	B1	REVISED PER ECO-17-014338	02APR2018	RS	DR

- 1 WIRE INSUL: $\phi 2.921-4.318[\phi .115-.170]$
WIRE INSUL: $\phi 1.270-2.921 [\phi .050-.115]$

△ 2 TAPE APPLIED TO PART SUCH THAT ADAPTER END IS NOT CRIMPED IN APPLICATOR

3 PARTS MANUFACTURED AFTER MAY 2005 ARE ROHS COMPLIANT.



△ 2	2500	ON TAPE, REEL	BODY: COPPER PER ASTM B-152 TIN PL 0.00254[.000100] MIN THK PER ASTM B545 INSULATION: VINYL COLOR: TRANSPARENT	696010-2
	QTY	PACKAGE TYPE	MATERIAL & FINISH	PART NO

THIS DRAWING IS A CONTROLLED DOCUMENT.		DWN M ELLIS 27JUN97	STE TE Connectivity Ltd.	
		CHK S BORTNER 27JUN97		
DIMENSIONS: mm [INCHES]	TOLERANCES UNLESS OTHERWISE SPECIFIED:	APVD C FOX 27JUN97	NAME SPLICE, BUTT, PLASTI-GRIP WIRE SIZE: 22-18 TO 16-14 AWG	
	0 PLC ± - 1 PLC ± - 2 PLC ± - 3 PLC ± 0.127[.005] 4 PLC ± - ANGLES ± -	PRODUCT SPEC -	RESTRICTED TO -	
MATERIAL -	FINISH -	APPLICATION SPEC -	SIZE A3	CAGE CODE 00779
		WEIGHT	DRAWING NO C-696010	REV B1
CUSTOMER DRAWING			SCALE 5:1	SHEET 1 OF 1