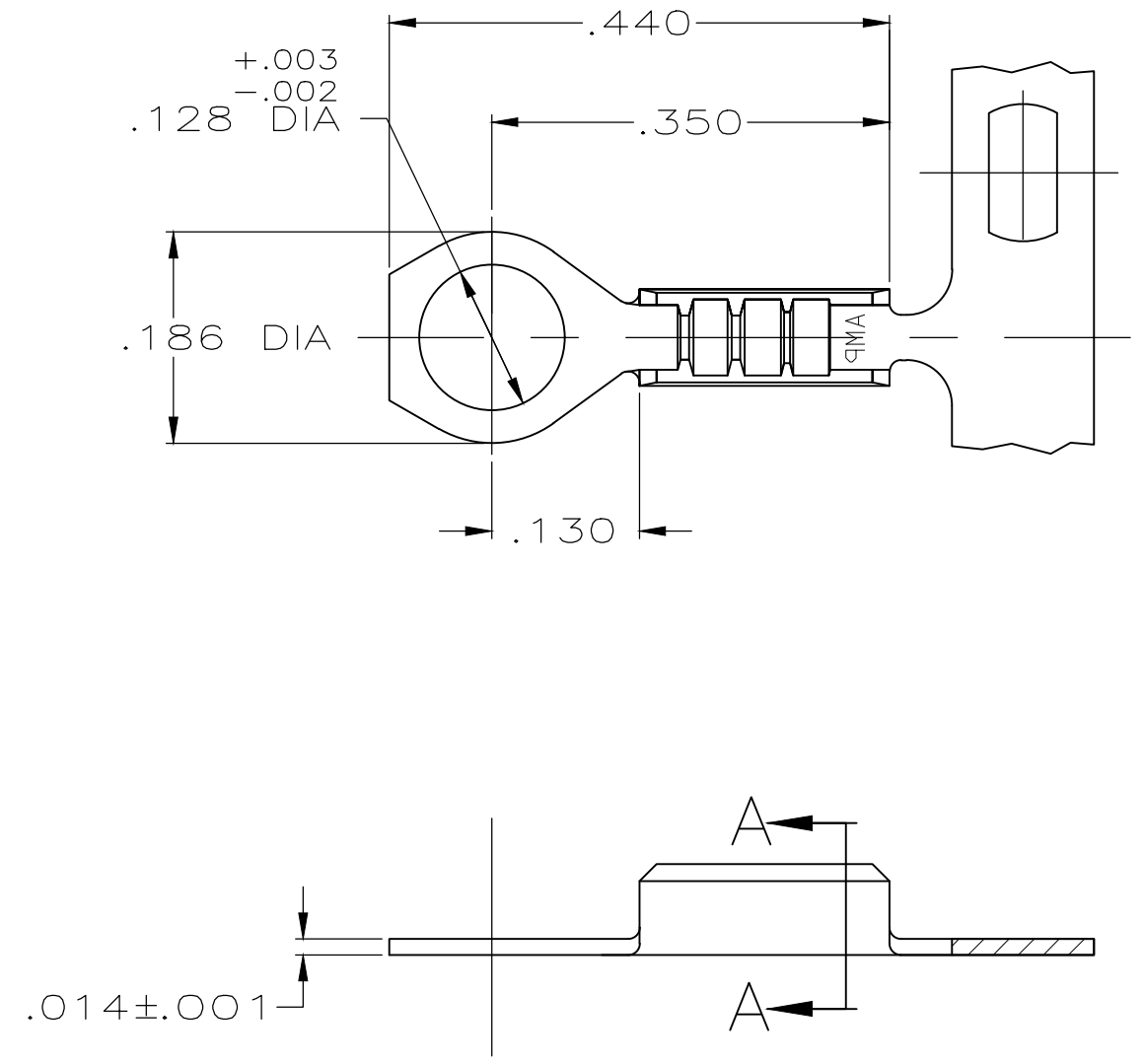


THIS DRAWING IS UNPUBLISHED. RELEASED FOR PUBLICATION  
 © COPYRIGHT - TE Connectivity Ltd. ALL RIGHTS RESERVED.

REVISIONS					
P	LTR	DESCRIPTION	DATE	DWN	APVD
	G1	REVISED PER ECR-19-019484	07JAN2020	PC	LJB



- 1 CONTINUOUS STRIP ON REELS
- 2 GOLD FLASH OVER NICKEL PLATE
- 3 TIN PLATING.
- 4 REVERSE REEL.

SECTION A-A  
SCALE 10:1

.030-.035 DIA	TINSEL WIRE	3	4 61505-4
		3	61505-2
		2	61505-1
INSULATION RANGE	WIRE RANGE	FINISH	PART NO

THIS DRAWING IS A CONTROLLED DOCUMENT.		DWN P FORTNEY 3/30/90	<b>STE</b> TE Connectivity														
DIMENSIONS: INCHES		CHK JR RUTH 3/30/90															
TOLERANCES UNLESS OTHERWISE SPECIFIED:		APVD G YETTER 3/30/90	NAME														
<table border="0"> <tr><td>0 PLC</td><td>± -</td></tr> <tr><td>1 PLC</td><td>± -</td></tr> <tr><td>2 PLC</td><td>± -</td></tr> <tr><td>3 PLC</td><td>± .015</td></tr> <tr><td>4 PLC</td><td>± -</td></tr> <tr><td>ANGLES</td><td>± -</td></tr> </table>		0 PLC	± -	1 PLC	± -	2 PLC	± -	3 PLC	± .015	4 PLC	± -	ANGLES	± -	PRODUCT SPEC	RING		
0 PLC	± -																
1 PLC	± -																
2 PLC	± -																
3 PLC	± .015																
4 PLC	± -																
ANGLES	± -																
MATERIAL #4 HARD BRASS		FINISH SEE TABLE	APPLICATION SPEC	SIZE A3	CAGE CODE 00779												
			DRAWING NO C-61505	RESTRICTED TO													
CUSTOMER DRAWING			WEIGHT -	SCALE 6:1	SHEET 1 OF 1												
			REV G1														