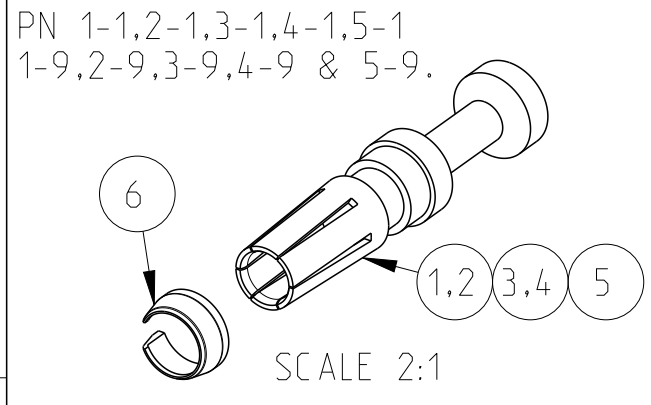
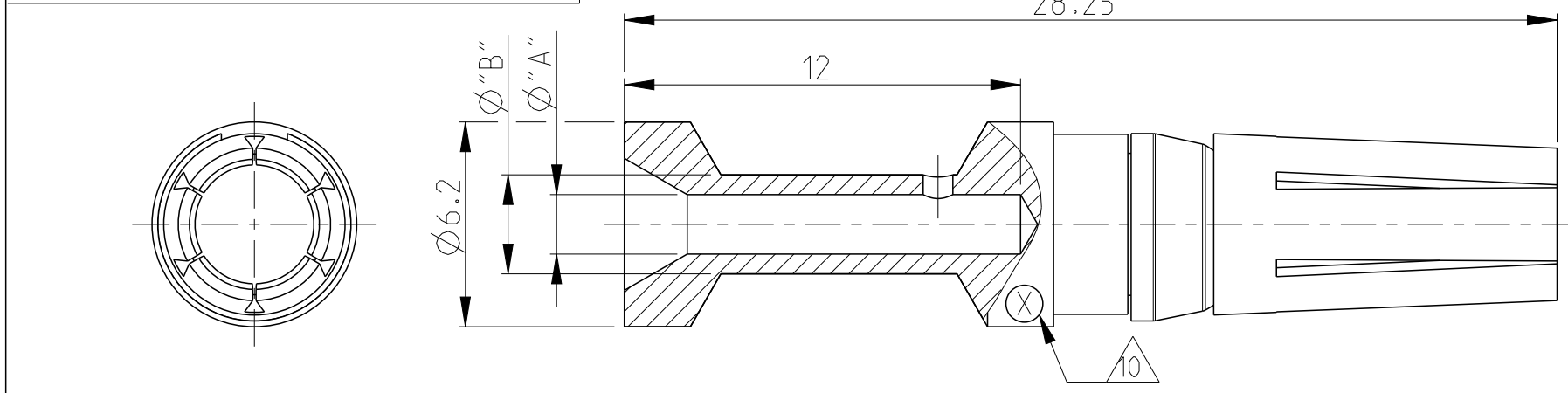


THIS DRAWING IS UNPUBLISHED. RELEASED FOR PUBLICATION 2006  
 © COPYRIGHT 2006 BY - ALL RIGHTS RESERVED.

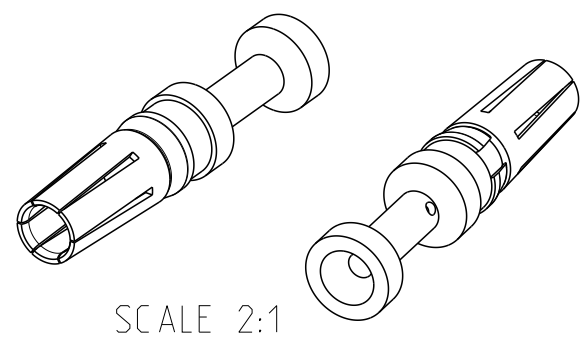
LOC	DIST	REVISIONS					
A1	-	P	LTR	DESCRIPTION	DATE	DWN	APVD
		A7	ECR-14-012792		30AUG2014	RK	MKO



- Notes
- 1 MATERIAL: BRASS
  - 2 FINISH SILVER PLATING: 2µm Ag MIN. OVER Cu
  - 3 ASSEMBLY WEIGHT SEE TABLE. VOLUME: 479mm<sup>3</sup> (APPROX.)
  - 4 PACKAGING: 25 PIECES IN A POLY-BAG AND CARTON
  - 5 SUITABLE SOCKET CONTACT: PN 1108756
  - 6 SUITABLE INSERTS: SERIES HSK
  - 7 SUITABLE CRIMPING TOOL: PN 1-1105850-8
  - 8 SUITABLE INSERTION TOOL: PN 0-1102855-6
  - 9 SUITABLE EXTRACTION TOOL: PN 0-1102855-8
  - 10 CROSS-SECTION MARKING
  - 11 STANDARDS: DIN EN 61984, DIN EN 60664-1



1	1	1	1	1	1	1	1	1	1	Ni	CLIP	-	-	-	-	6		
1					1					Ag 2	SOCKET CONTACT	10	0.0030	4.35	5.9	8	12	5
	1					1					SOCKET CONTACT	6.0	0.0029	3.5	4.9	7	12	4
		1					1				SOCKET CONTACT	4.0	0.0027	2.85	3.9	6	12	3
			1					1			SOCKET CONTACT	2.5	0.0028	2.2	3.2	5	12	2
				1					1		SOCKET CONTACT	1.5	0.0028	1.8	3.0	4	12	1
5-9	4-9	3-9	2-9	1-9	5-1	4-1	3-1	2-1	1-1		[MM <sup>2</sup> ]			"A"	"B"	CROSS-SECTION MARKINGS	(MM)	ITEM NO
HS.K-C-Bu.Ag 10mm <sup>2</sup>	HS.K-C-Bu.Ag 6mm <sup>2</sup>	HS.K-C-Bu.Ag 4mm <sup>2</sup>	HS.K-C-Bu.Ag 2.5mm <sup>2</sup>	HS.K-C-Bu.Ag 1.5mm <sup>2</sup>	HS.K-C-Bu.Ag 10mm <sup>2</sup>	HS.K-C-Bu.Ag 6mm <sup>2</sup>	HS.K-C-Bu.Ag 4mm <sup>2</sup>	HS.K-C-Bu.Ag 2.5mm <sup>2</sup>	HS.K-C-Bu.Ag 1.5mm <sup>2</sup>	PLATING	DESCRIPTION	CROSS SECTION	WEIGHT IN (Kg)	DIMENSIONS		CROSS-SECTION MARKINGS	STRIPPING-LENGTH	
4	4	4	4	4	4	4	4	4	4				3			10		



THIS DRAWING IS A CONTROLLED DOCUMENT.

DWN SCHWEIGER 03Mar2008  
 CHK H.BRAUN 03Mar2008  
 APVD T. SCHNURPFEL 03Mar2008

TE Connectivity

NAME: SOCKET CONTACT SERIES HSK

PRODUCT SPEC: 108-74004  
 APPLICATION SPEC: 114-74003  
 WEIGHT: -

SIZE: A3 CAGE CODE: 00779 DRAWING NO: C=1108756 RESTRICTED TO: -

Customer Drawing SCALE: 5:1 SHEET: 1 OF 1 REV: A7

DIMENSIONS: mm  
 TOLERANCES UNLESS OTHERWISE SPECIFIED:  
 0 PLC ±  
 1 PLC ±  
 2 PLC ±  
 3 PLC ±  
 4 PLC ±  
 ANGLES ±

MATERIAL: 1 FINISH: 2