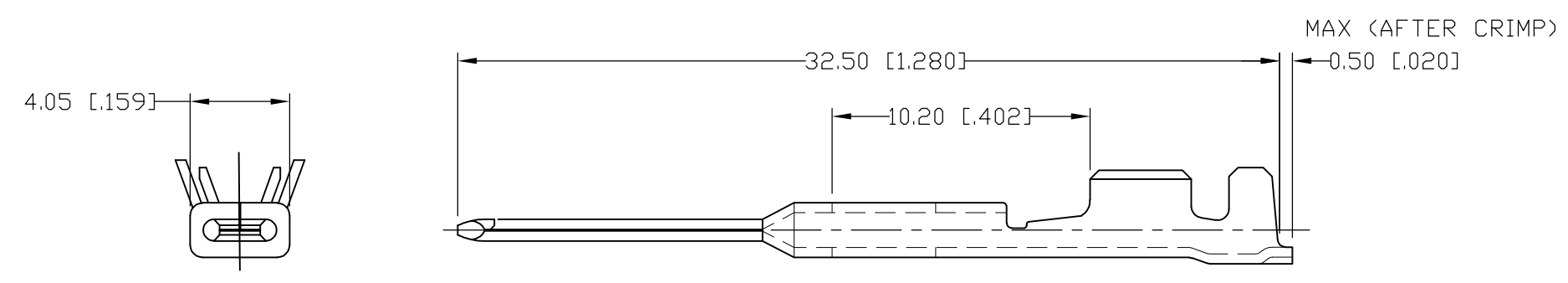
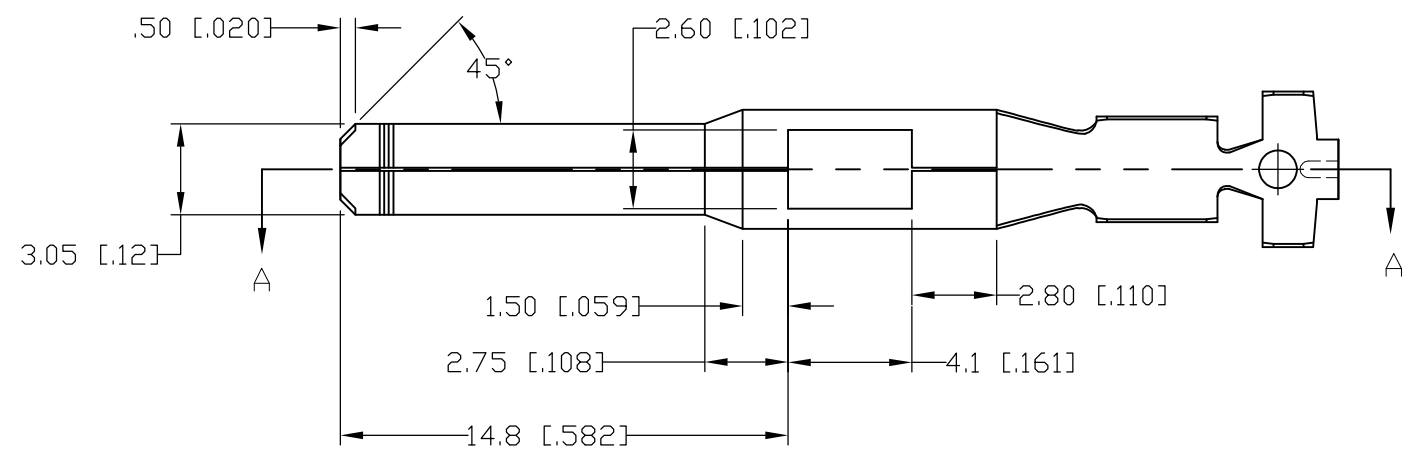
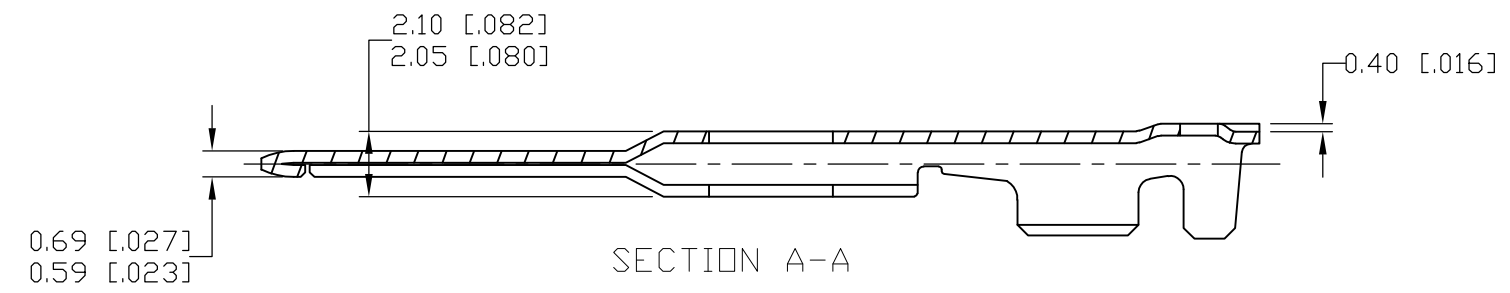


THIS DRAWING IS UNPUBLISHED. RELEASED FOR PUBLICATION
 © COPYRIGHT - By - ALL RIGHTS RESERVED.

LOC	DIST	REVISIONS					
FX	00	P	LTR	DESCRIPTION	DATE	DWN	APVD
			D	REVISED PER ECO-15-003776	12MAR2015	DD	WW



MATERIAL:
 A) UNS-C26000 BRASS.
 B) UNS-C19400

1438241-7	1438241-8	YR3T-14421-AA	TIN PLATE ES8-MIP9-A	22	A
1438241-2	-	E8EB-14421-LA	TIN PLATE ES8-MIP9-A HOT DIP PRE TIN STRIP	14	B
1438241-1	-	E7EB-14421-EA	TIN PLATE ES8-MIP9-A HOT DIP PRE TIN STRIP	18	A
TE P/N	TE P/N REWOUND	FORD P/N	FINISH	WIRE CODE	MAT'L TYPE

THIS DRAWING IS A CONTROLLED DOCUMENT.

DIMENSIONS: mm

TOLERANCES UNLESS OTHERWISE SPECIFIED:

0 PLC ± -
 1 PLC ± 0.3
 2 PLC ± 0.10
 3 PLC ± -
 4 PLC ± -
 ANGLES ± 3'

MATERIAL: SEE NOTES
 FINISH: SEE TABLE

DWN	JR BUSSARD	11JUN2003	 TE Connectivity			
CHK	DM REVAK	11JUN2003				
APVD	DM REVAK	11JUN2003				
NAME	TERMINAL WIRE SNAP ON, MALE					
PRODUCT SPEC	-		SIZE	CAGE CODE	DRAWING NO	RESTRICTED TO
APPLICATION SPEC	-		A3	00779	C-1438241	-
WEIGHT	-		CUSTOMER DRAWING	SCALE	SHEET	REV
			4:1	1 OF 1	D	